

# HC2 miniBOOSTER



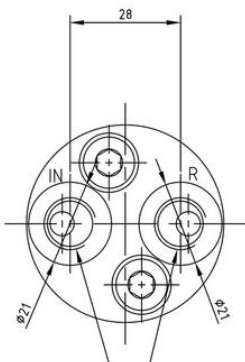
**HC2: 13**  
 $P_{IN}$ : 20 – 200 ( )  
 $P_H$ : 800 ( )  
 $P_{RETURN}$  ( )  
 $P_H = (P_{IN} - P_{Return}) i$  ( )  
  
**A =**  
**B =**  
**G =**

HC2

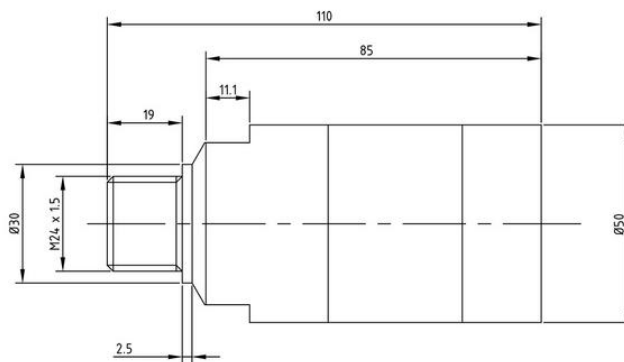
1,0

HC2

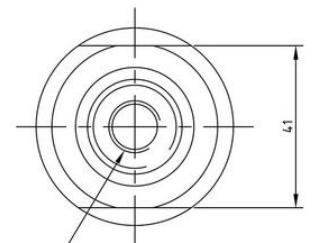
i	/	/
1,2	1,2	8,0
1,5	1,0	8,0
2,0	2,0	12,0
2,2	2,1	12,0
2,5	2,2	13,0
2,8	2,2	13,0
3,2	2,5	15,0
4,0	2,0	14,0
5,0	1,6	14,0
6,6	1,3	13,0
9,0	0,9	13,0
13,0	0,6	12,0
20,0	0,3	12,0



Supply Connections: IN, R

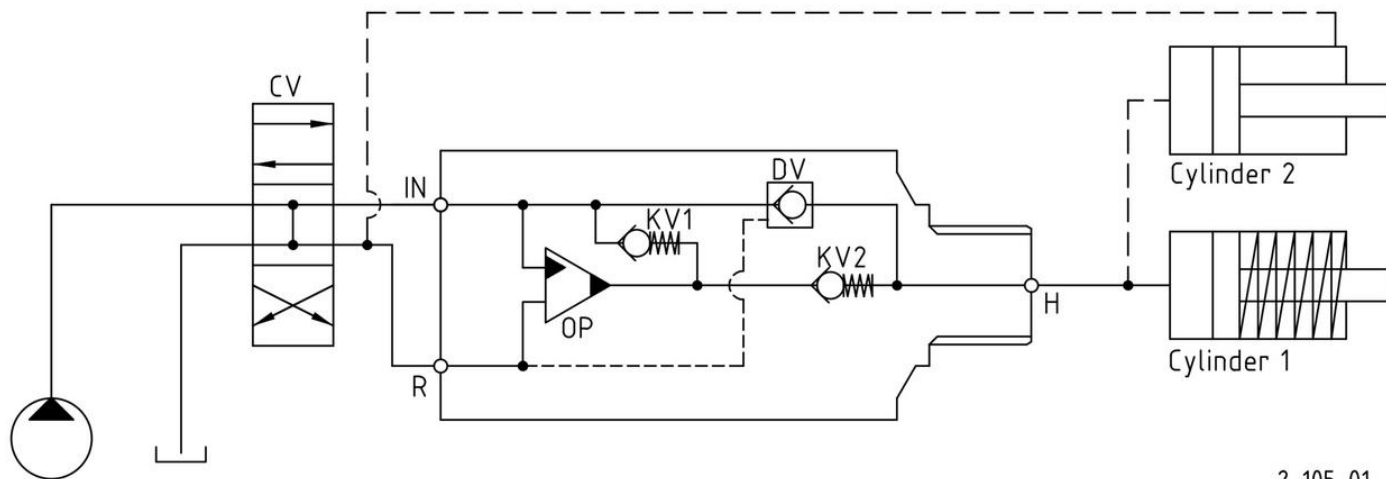


High Pressure Connection: H



2-120-02

IN, KV1, KV2 DV H. CV  
 OP. H, KV1, KV2 DV  
 H. OP.



2-105-01

	IN/ R	H
1	1/4" BSPP	1/4" BSPP
2	7/16-20 UNF	9/16-18 UNF

**BSPP**

	IN / R	H
	1/4" BSPP	1/4" BSPP
	4,0 10/	4,0 10/
	3,0 10/	-
	4,0 10/	4,0 10/

**TTNF**

	IN / R	H
	7/16-20" UNF	9/16-18" UNF
	2,0 10/	3,5 10/

**HC2**

HC2 DV i = 4,0, BSPP: HC2 - 4,0 - B - 1

	<i>i</i>		
HC2	...	...	...
		A = ( ) / A	1
		B = ( ) / B	2
		G = ( ) / G	