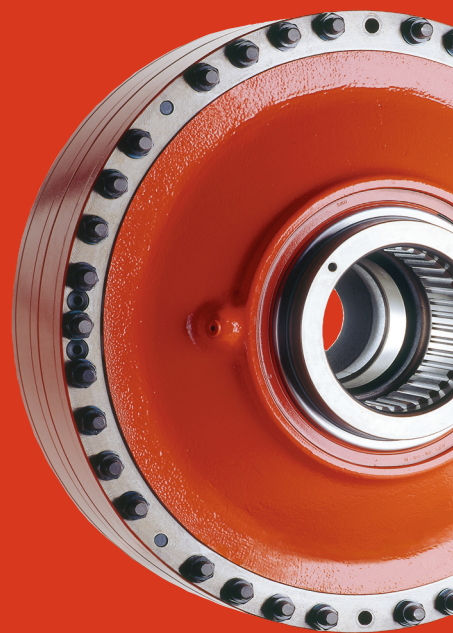


Compact CB

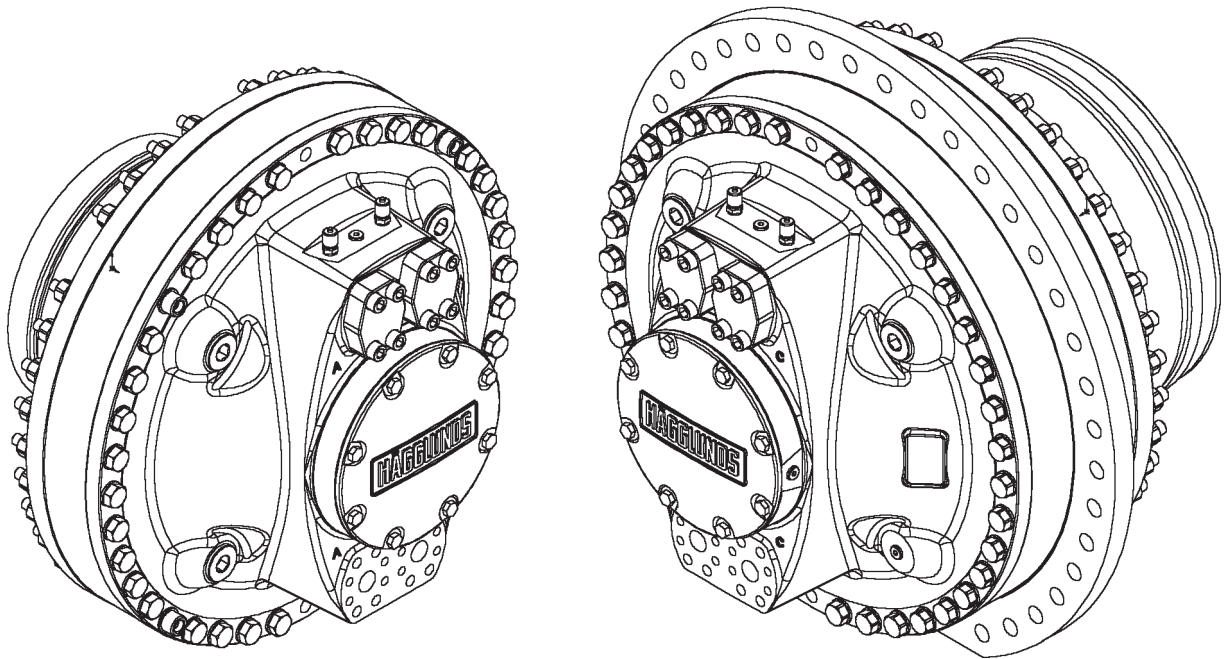
PRODUCT MANUAL



HÄGGLUNDS

Product Manual

COMPACT CB EN734-7h 2011



One partner all over the world

Hägglands Drives is a global leader in the hydraulic motors and drive systems niche.

The Group develops, manufactures and markets drive system solutions for applications requiring high torque, low speeds and variable speeds.

The drive systems are used in a wide range of industries, such as Mining and materials handling, Marine and offshore, Recycling, Sugar, Pulp and paper, Rubber and plastics, and Building and construction.



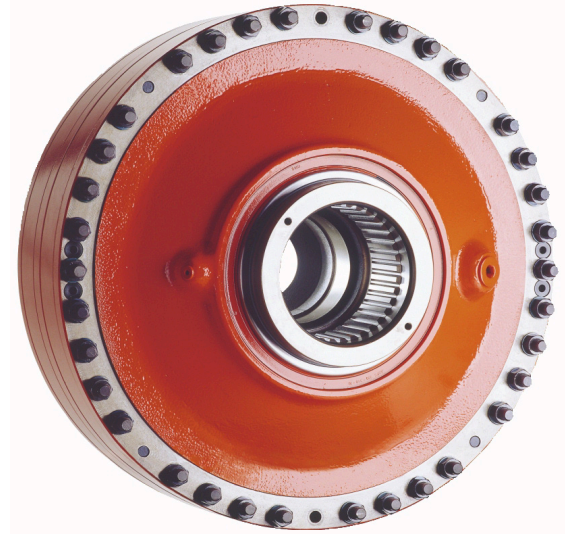
We have approximately 900 employees. Production is located in Mellansel, Sweden, Columbus, Ohio, USA and San Antonio, Texas, USA. The Group has 16 subsidiaries, personnel in over 20 countries, and around 50 sales and service offices. In addition, there are distributors in around 20 countries. The largest geographical markets are Europe, China, India, Australia and North America.

We are owned by Bosch Rexroth, one of the largest hydraulic companies in the world.

The content in this manual is subject to change without notice or obligation, unless certified referring to a certain purchase order. Information contained herein should be confirmed before placing orders.

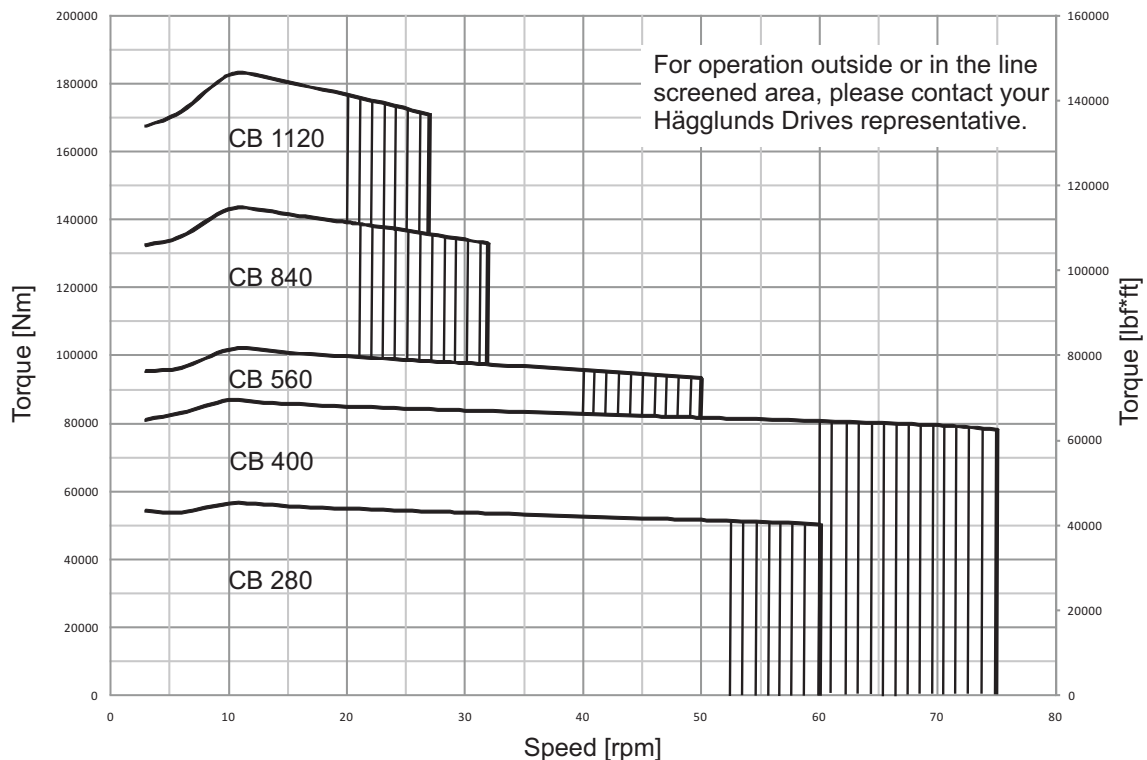
Features of Häggglunds Drives new Compact CB motor

- High output torque and power to weight ratio
- Full torque from zero to maximum speed
- Small outer diameter
- Many sizes to choose from to optimise the drive
- Flexible mounting by using shaft coupling or splines, suitable for torque arm or flange mounting
- High efficiency and low maintenance cost
- Resistant against shock loads
- Through hole



Quick selection diagram for Compact CB motors

The diagram below represents the torque and speed, corresponding to a modified rating life $L_{10\text{aah}} = 40\ 000\ \text{h}$. $P_c = 15\ \text{bar}$ (218 psi), oil viscosity in motor case 40 cSt (187 SSU). When operating below 3 rpm, coated pistons or oil with higher viscosity shall be used. Contact your Häggglunds representative.



Functional description

Häggglunds hydraulic industrial motor COMPACT CB is of the radial-piston type with a rotating cylinder block/hollow shaft and a stationary housing. The cylinder block is mounted in fixed roller bearings in the housing. An even number of pistons are radially located in bores inside the cylinder block, and the valve plate directs the incoming and outgoing oil to and from the working pistons. Each piston is working against a cam roller.

When the hydraulic pressure is acting on the pistons, the cam rollers are pushed against the slope on the cam ring that is rigidly connected to the housing, thereby producing a torque. The cam rollers transfer the reaction force to the pistons which are guided in the cylinder block. Rotation therefore occurs, and the torque available is proportional to the pressure in the system.

Oil main lines are connected to ports A and C in the connection block and drain lines to ports D1, D2, D3 or D4 in the motor housing.

The motor is connected to the shaft of the driven machine through the hollow shaft of the cylinder block. The torque is transmitted by using a mechanical shaft coupling, or alternatively by splines.

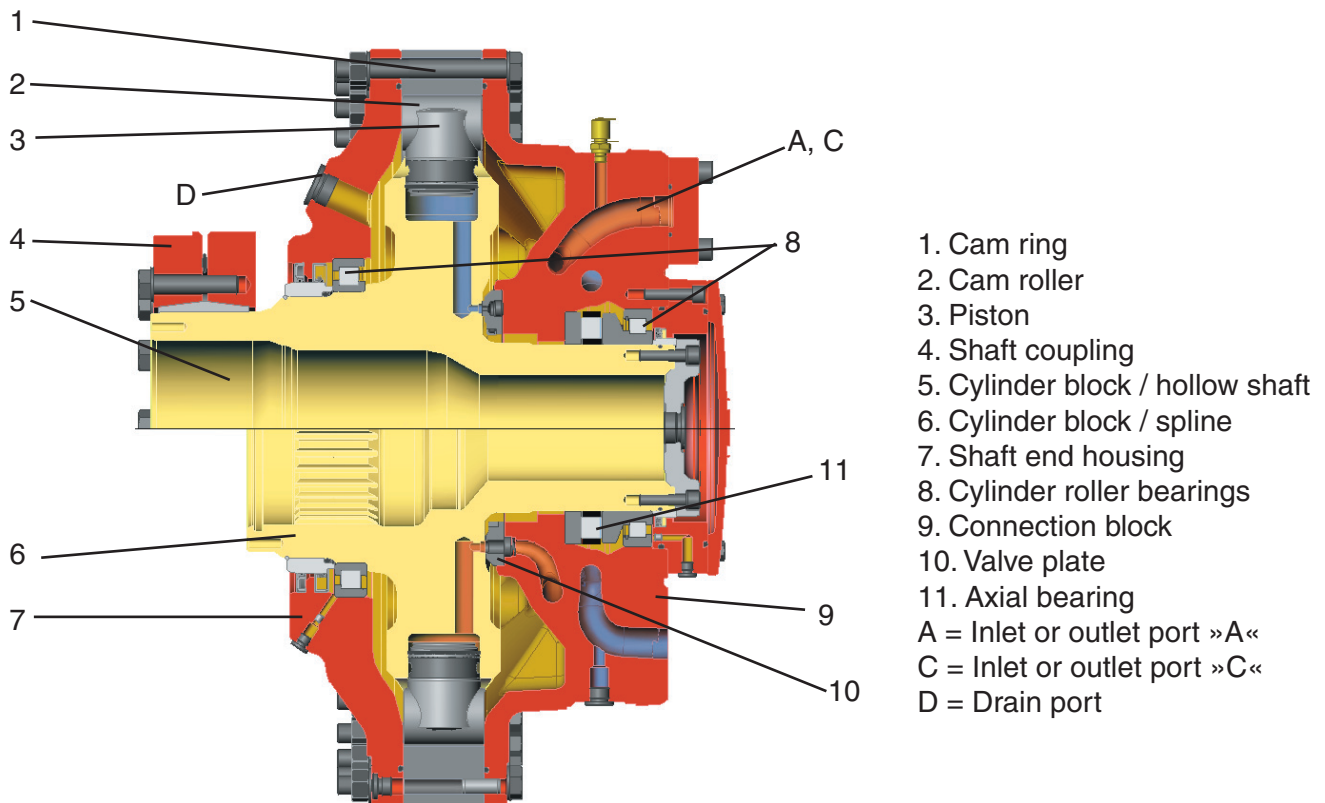
Valid patents

US 4522110, US 005979295A, SE 456517, EP 0102915, JP 83162704, GB 1385693, EP 0524437.

Quality

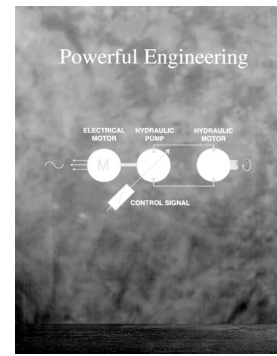
To assure our quality we maintain a Quality Assurance System, certified to standard ISO 9001, EN 29001 and BS 5750; Part 1.

Fig. 1 Compact CB motor



Calculation fundamentals

| | | |
|--|---|---|
| Output power | $P = \frac{T \cdot n}{9549}$ (kW) on driven shaft | $P = \frac{T \cdot n}{5252}$ (hp) on driven shaft |
| Output torque ($\eta_m=98\%$) | $T = T_s \cdot (p - \Delta p_l - p_c) \cdot \eta_m$ (Nm) | $T = \frac{T_s \cdot (p - \Delta p_l - p_c) \cdot \eta_m}{1000}$ (lbf-ft) |
| Pressure required ($\eta_m=98\%$) | $p = \frac{T}{T_s \cdot \eta_m} + \Delta p_l + p_c$ (bar) | $p = \frac{T \cdot 1000}{T_s \cdot \eta_m} + \Delta p_l + p_c$ (psi) |
| Flow rate required | $q = \frac{n \cdot V_i}{1000} + q_l$ (l/min) | $q = \frac{n \cdot V_i}{231} + q_l$ (gpm) |
| Output speed | $n = \frac{q - q_l}{V_i} \cdot 1000$ (rpm) | $n = \frac{q - q_l}{V_i} \cdot 231$ (rpm) |
| Inlet power | $P_{in} = \frac{q \cdot (p - p_c)}{600}$ (kW) | $P_{in} = \frac{q \cdot (p - p_c)}{1714}$ (hp) |



For more information
See Powerful Engineering
(EN347-4).

| <u>Quantity</u> | <u>Symbol</u> | <u>Metric</u> | <u>US</u> | <u>Quantity</u> | <u>Symbol</u> | <u>Metric</u> | <u>US</u> |
|-------------------|---------------|---------------|-----------------|-----------------------|---------------|------------------------|----------------------|
| Power | P | = kW | hp | Pressure loss | Δp | = bar | psi |
| Output torque | T | = Nm | lbf-ft | Charge pressure | p_c | = bar | psi |
| Specific torque | T_s | = Nm/bar | lbf-ft/1000 psi | Flow rate required | q | = l/min | gpm |
| Rotational speed | n | = rpm | rpm | Total volumetric loss | q_l | = l/min | gpm |
| Required pressure | p | = bar | psi | Displacement | V_i | = cm ³ /rev | in ³ /rev |
| | | | | Mechanical efficiency | η_m | = 0.98* | |

***Not valid for starting efficiency**

Definitions

Rated speed¹⁾

Rated speed is the highest allowed speed for a charge pressure of 12 bar (175 psi) above case pressure. When a closed loop system is used, a minimum of 15% of oil is to be exchanged in the main loop.

Max speed

Maximum speed is the maximum allowed speed. Special considerations are necessary regarding charge pressure, cooling and choice of hydraulic system for speeds rated above.

¹⁾Operating above rated conditions requires Hägglunds approval.

Accepted conditions for standard type of motor:

1. Oil viscosity 20 - **40** - 10000 cSt (98 - **187** - 4650 SSU). See page 21.
2. Temperature -35 °C to +70 °C (-31 °F to +158 °F).
3. Running case pressure 0-3 bar (0-45 psi)
Max case pressure 8 bar (116 psi)
4. Charge pressure (see diagram).
5. Volumetric losses (see diagram).

Motor data

| Metric Motor type | Displacement | Specific torque | Rated * speed 1) | Max. speed | Max. ** pres- sure | Max. torque 2) | Max. power 3) intermittently |
|----------------------|-------------------------------|--------------------|---------------------|------------|-----------------------|-------------------|---------------------------------|
| | V_i cm ³ /rev | T_s Nm/bar | n rpm | n rpm | p bar | kNm | kW |
| CB 280-240 | 15 100 | 240 | 53 | 68 | 350 | 79 | 530 |
| CB 280 | 17 600 | 280 | 44 | 58 | 350 | 92 | 530 |
| CB 400-240 | 15 100 | 240 | 94 | 125 | 350 | 79 | 970 |
| CB 400-280 | 17 600 | 280 | 73 | 105 | 350 | 92 | 950 |
| CB 400-320 | 20 100 | 320 | 71 | 94 | 350 | 110 | 970 |
| CB 400-360 | 22 600 | 360 | 59 | 82 | 350 | 120 | 960 |
| CB 400-440 | 27 600 | 440 | 49 | 65 | 320 | 131 | 820 |
| CB 400-480 | 30 200 | 480 | 48 | 62 | 290 | 129 | 660 |
| CB 400-520 | 32 700 | 520 | 41 | 57 | 270 | 130 | 670 |
| CB 400-560 | 35 200 | 560 | 40 | 53 | 250 | 129 | 630 |
| CB 400 | 25 100 | 400 | 58 | 75 | 350 | 130 | 970 |
| CB 560-440 | 27 600 | 440 | 49 | 65 | 350 | 140 | 930 |
| CB 560-480 | 30 200 | 480 | 48 | 62 | 350 | 160 | 970 |
| CB 560-520 | 32 700 | 520 | 41 | 57 | 350 | 170 | 960 |
| CB 560 | 35 200 | 560 | 40 | 53 | 350 | 180 | 970 |
| CB 840-600 | 37 700 | 600 | 30 | 45 | 350 | 200 | 880 |
| CB 840-640 | 40 200 | 640 | 28 | 41 | 350 | 210 | 850 |
| CB 840-680 | 42 700 | 680 | 27 | 40 | 350 | 220 | 890 |
| CB 840-720 | 45 200 | 720 | 25 | 37 | 350 | 240 | 870 |
| CB 840-760 | 47 800 | 760 | 23 | 34 | 350 | 250 | 840 |
| CB 840-800 | 50 300 | 800 | 23 | 34 | 350 | 260 | 890 |
| CB 840 | 52 800 | 840 | 21 | 32 | 350 | 280 | 870 |
| CB 1120-880 | 55 300 | 880 | 25 | 34 | 350 | 290 | 970 |
| CB 1120-920 | 57 800 | 920 | 24 | 33 | 350 | 300 | 980 |
| CB 1120-960 | 60 300 | 960 | 24 | 32 | 350 | 315 | 990 |
| CB 1120-1000 | 62 800 | 1000 | 22 | 31 | 350 | 330 | 1000 |
| CB 1120-1040 | 65 300 | 1040 | 21 | 29 | 350 | 340 | 980 |
| CB 1120-1080 | 67 900 | 1080 | 20 | 28 | 350 | 355 | 980 |
| CB 1120 | 70 400 | 1120 | 20 | 27 | 350 | 370 | 980 |

*) Related to a required pressure of 12 bar for motors in braking mode. (Special considerations regarding charge pressure, cooling and choice of hydraulic system for speeds above rated, 4 ports must be used for higher speed).

**) The motors are designed according to DNV-rules. Test pressure 420 bar. Peak/transient pressure 420 bar maximum, allowed to occur 10 000 times.

1) Special considerations regarding charge pressure, cooling and choice of hydraulic system for speed above rated.

2) Calculated as: Metric= $T_s \cdot (350-15) \cdot 0.98$

3) Valid for minimum permissible oil viscosity 20 cSt in the motor case.

| US Motor type | Displacement | Specific torque | Rated * speed 1) | Max. speed | Max. ** pres- sure | Max. torque 2) | Max. power 3) intermittently |
|---------------------|-------------------------------|--------------------------|---------------------|------------|-----------------------|-------------------|---------------------------------|
| | V_i in ³ /rev | T_s lbf-ft/1000 psi | n rpm | n rpm | p psi | lbf-ft | hp |
| CB 280-240 | 920 | 12 200 | 53 | 68 | 5000 | 57 000 | 710 |
| CB 280 | 1070 | 14 200 | 44 | 58 | 5000 | 67 000 | 710 |
| CB 400-240 | 920 | 12 200 | 94 | 125 | 5000 | 57 000 | 1300 |
| CB 400-280 | 1070 | 14 200 | 73 | 105 | 5000 | 67 000 | 1300 |
| CB 400-320 | 1230 | 16 300 | 71 | 94 | 5000 | 76 000 | 1300 |
| CB 400-360 | 1380 | 18 300 | 59 | 82 | 5000 | 86 000 | 1300 |
| CB 400-440 | 1690 | 22 400 | 49 | 65 | 4600 | 97000 | 1100 |
| CB 400-480 | 1840 | 24 400 | 48 | 62 | 4200 | 95000 | 890 |
| CB 400-520 | 1990 | 26 400 | 41 | 57 | 3900 | 96000 | 900 |
| CB 400-560 | 2150 | 28 500 | 40 | 53 | 3600 | 95000 | 840 |
| CB 400 | 1530 | 20 300 | 58 | 75 | 5000 | 95 000 | 1300 |
| CB 560-440 | 1690 | 22 400 | 49 | 65 | 5000 | 100 000 | 1300 |
| CB 560-480 | 1840 | 24 400 | 48 | 62 | 5000 | 110 000 | 1300 |
| CB 560-520 | 1990 | 26 400 | 41 | 57 | 5000 | 120 000 | 1300 |
| CB 560 | 2150 | 28 500 | 40 | 53 | 5000 | 130 000 | 1300 |
| CB 840-600 | 2300 | 30 500 | 30 | 45 | 5000 | 140 000 | 1200 |
| CB 840-640 | 2450 | 32 500 | 28 | 41 | 5000 | 150 000 | 1100 |
| CB 840-680 | 2610 | 34 600 | 27 | 40 | 5000 | 160 000 | 1200 |
| CB 840-720 | 2760 | 36 600 | 25 | 37 | 5000 | 170 000 | 1200 |
| CB 840-760 | 2910 | 38 700 | 23 | 34 | 5000 | 180 000 | 1100 |
| CB 840-800 | 3070 | 40 700 | 23 | 34 | 5000 | 190 000 | 1200 |
| CB 840 | 3220 | 42 700 | 21 | 32 | 5000 | 200 000 | 1200 |
| CB 1120-880 | 3370 | 44 700 | 25 | 34 | 5000 | 210 000 | 1300 |
| CB 1120-920 | 3520 | 46 700 | 24 | 33 | 5000 | 220 000 | 1300 |
| CB 1120-960 | 3680 | 48 800 | 24 | 32 | 5000 | 230 000 | 1300 |
| CB 1120-1000 | 3830 | 50 800 | 22 | 31 | 5000 | 240 000 | 1300 |
| CB 1120-1040 | 3980 | 52 800 | 21 | 29 | 5000 | 250 000 | 1300 |
| CB 1120-1080 | 4140 | 54 900 | 20 | 28 | 5000 | 260 000 | 1300 |
| CB 1120 | 4290 | 56 900 | 20 | 27 | 5000 | 270 000 | 1300 |

*) Related to a required pressure of 175 psi for motors in braking mode. (Special considerations regarding charge pressure, cooling and choice of hydraulic system for speeds above rated, 4 ports must be used for higher speed).

**) The motors are designed according to DNV-rules. Test pressure 6000 psi. Peak/transient pressure 6000 psi maximum, allowed to occur 10 000 times.

1) Special considerations regarding charge pressure, cooling and choice of hydraulic system for speed above rated.

2) Calculated as: $US = T_s \cdot (5000 - 218) \cdot 0.98$.

3) Valid for minimum permissible oil viscosity 20 cSt in the motor case.

Compact CB 1120

Example: CB 1120 SA0V0C 00 00

Motor series C

Generation 1 1 2 0

Motor size CB 1120

Specific torque (Nm/bar)

Mounting alternatives, shaft
Splines S

Multi disc brake or Tandem kit
Motor without brake or TA kit A

Displacement shift valve
Motor not prepared for displacement shift 0

Type of seal
Nitrile N
Viton V

Through hole kit
No 0
Yes H

Coated pistons and cam rollers
No 0
Yes C

Modification 00-99

Design
Standard 00
Special index 01-99

Painting
Orange Standard
Other Option

To be filled in by Hägglands

Torque arm

Example: TCA 40 - 0 - 0 - 00

Torque arm TC

Generation

Torque arm size
TCA 40 for CB 280, CB 400
TCA 84 for CB 560, CB 840
TCA 112 for CB 1120

Attachment
Pivoted 2
Other 9

Modification 0-9

Design
Standard 00
Special index 01-99

To be filled in by Hägglands

Dimensions

With splines for flange mounting.

Fig. 2

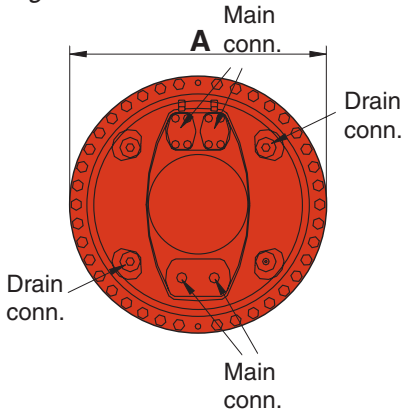


Fig. 3

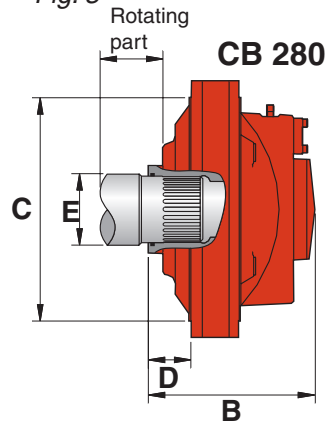


Fig. 4

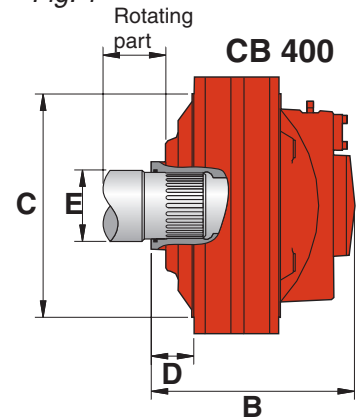


Fig. 5

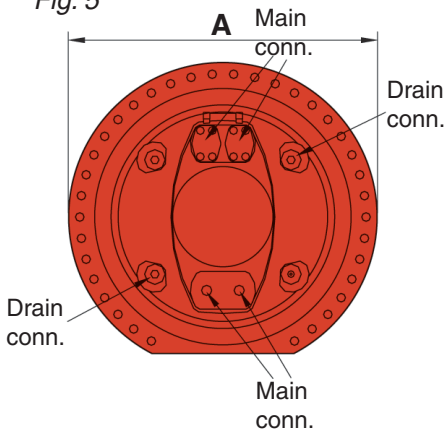


Fig. 6

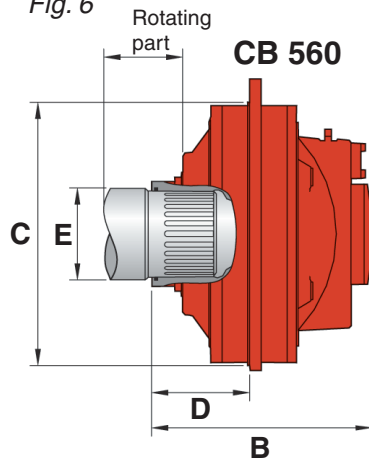


Fig. 7

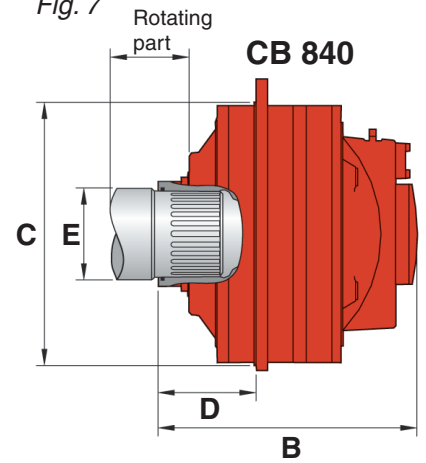


Fig. 8

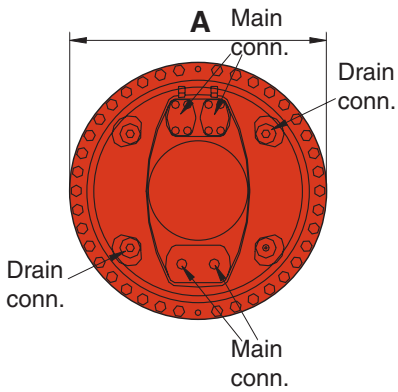


Fig. 9

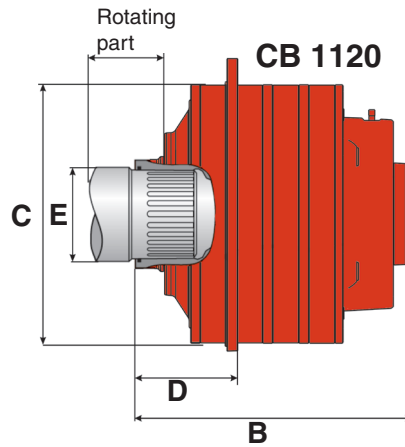


Table 1

| Motor type | A (mm) | B (mm) | C (mm) | D (mm) | E Splines diameter (mm) | Weight (kg) | Main conn. | Drain conn. |
|------------|--------|--------|--------|--------|-------------------------|-------------|---------------|-------------|
| CB 280 | 782 | 501 | 680 | 130 | N 200x5x30x38x9H | 705 | SAE 1 1/4" *) | BSP 1 1/4" |
| CB 400 | 782 | 619 | 680 | 130 | N 200x5x30x38x9H | 1060 | | |
| CB 560 | 940 | 669 | 800 | 298 | N 260x5x30x50x9H | 1115 | SAE 1 1/2" *) | |
| CB 840 | 940 | 787 | 800 | 298 | N 260x5x30x50x9H | 1445 | | |
| CB 1120 | 940 | 904 | 800 | 298 | N 260x5x30x50x9H | 1770 | | |

*) Both SAE 1 1/4" and SAE 1 1/2" can be used.

Dimensions

With splines for flange or torque arm mounting.

The splines shall be lubricated, either oiled with hydraulic oil at assembly, or filled with transmission oil from the connected gearbox. To avoid wear in the splines, the installation must be within the specified tolerances in fig. 10a. For control of spline, see table 3. When splines are used for torque arm mounting, the splines shall be lubricated with oil at assembly, see fig. 10b. For control of spline, see table 3.

Table 2

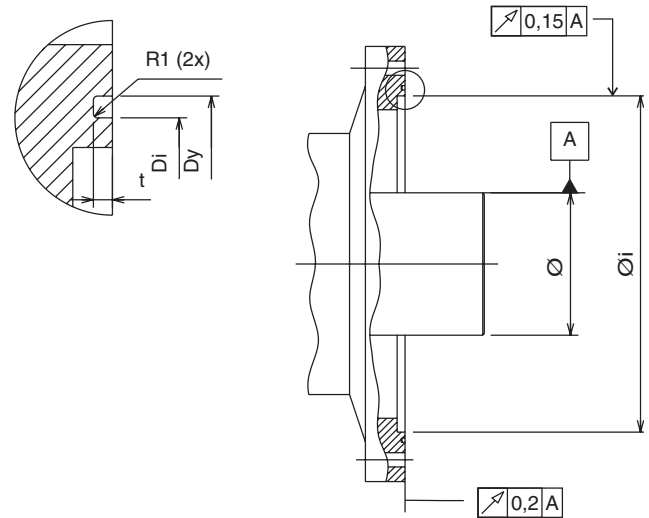
| |
|---|
| Unidirectional drives |
| Steel with yield strength $Re_{l_{min}} = 450 \text{ N/mm}^2$ |
| Bidirectional drives |
| Steel with yield strength $Re_{l_{min}} = 700 \text{ N/mm}^2$ |

Table 3

| Motor | CB 280/400 | CB 560/840/1120 |
|-------------------------------|---|---|
| Tooth profile and bottom form | DIN 5480 | DIN 5480 |
| Tolerance | 8f | 8f |
| Guide | Flank centring (Back) | Flank centring (Back) |
| Pressure angle | 30° | 30° |
| Module | 5 | 5 |
| Number of teeth | 38 | 50 |
| Pitch diameter | $\varnothing 190$ | $\varnothing 250$ |
| Minor diameter | $\varnothing 188$ | $\varnothing 248$ |
| Major diameter | $\varnothing 199 \begin{smallmatrix} 0 \\ -1.201 \end{smallmatrix}$ | $\varnothing 259 \begin{smallmatrix} 0 \\ -1.201 \end{smallmatrix}$ |
| Measure over measuring pins | $210.158 \begin{smallmatrix} 0 \\ -0.290 \end{smallmatrix}$ | $270.307 \begin{smallmatrix} 0 \\ -0.320 \end{smallmatrix}$ |
| Diameter of measuring pins | $\varnothing 10 \begin{smallmatrix} -0.088 \\ -0.157 \end{smallmatrix}$ | $\varnothing 10 \begin{smallmatrix} -0.103 \\ -0.181 \end{smallmatrix}$ |
| Addendum modification X M | +2.25 | +2.25 |

Flange mounting

Fig. 10a



For production of shaft see 278 5024 and 278 5026.

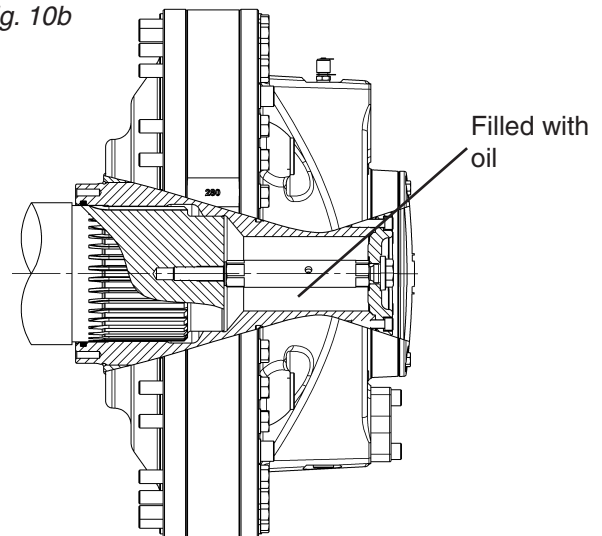
Table 4

| | $\varnothing i$ | Dy | Di | t | O-ring* |
|-----------------|--|-------------------|-------------------|---------------|---------------|
| CB 280/400 | $680 \begin{smallmatrix} +0.20 \\ +0.05 \end{smallmatrix}$ | $\varnothing 714$ | $\varnothing 700$ | 4.4 ± 0.1 | 2152 2115-743 |
| CB 560/840/1120 | $800 \begin{smallmatrix} +0.20 \\ +0.05 \end{smallmatrix}$ | $\varnothing 820$ | $\varnothing 806$ | 4.4 ± 0.1 | 2152 2115-793 |

* O-ring to be used in submerged applications, or for external lubrication of the splines.

Torque arm mounting

Fig. 10b



For production of shaft see 278 5023 and 278 5025.

Dimensions

With hollow shaft, shaft coupling.

Fig. 11

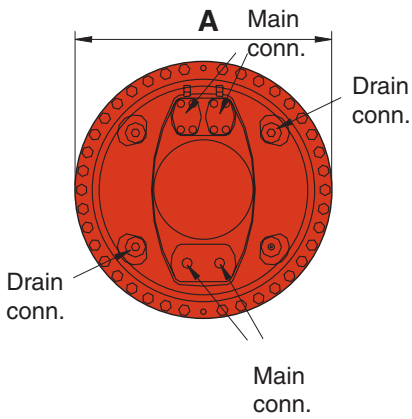


Fig. 12

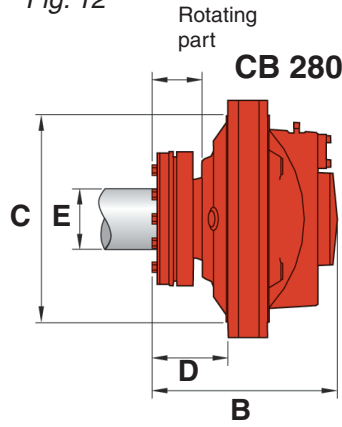


Fig. 13

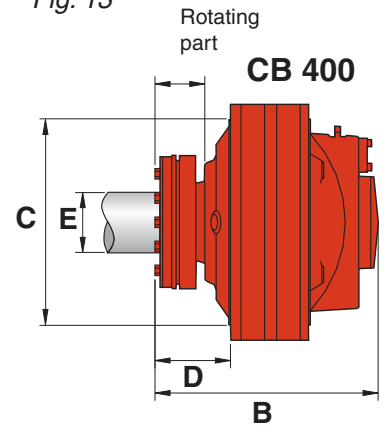


Fig. 14

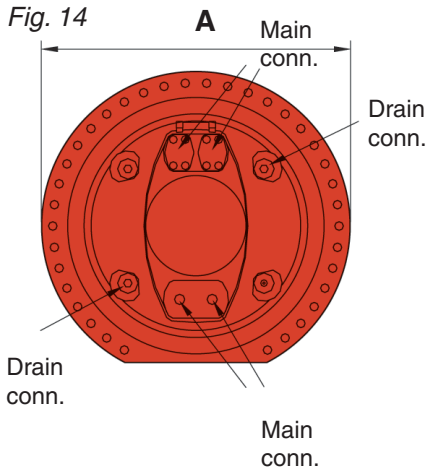


Fig. 15

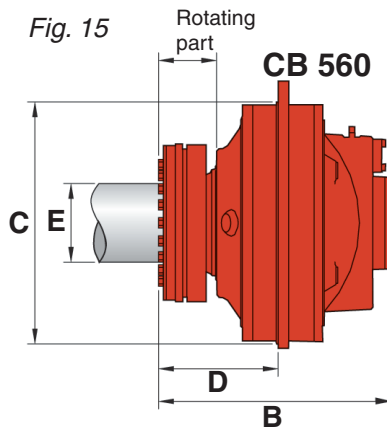


Fig. 16

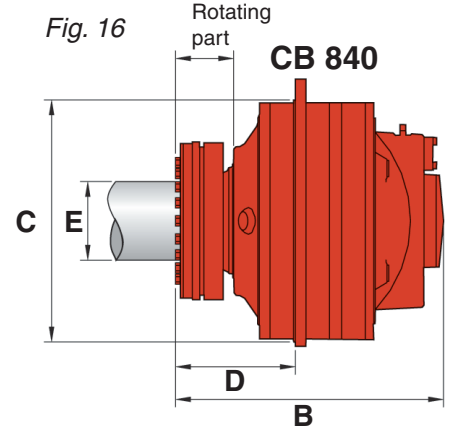


Fig. 17

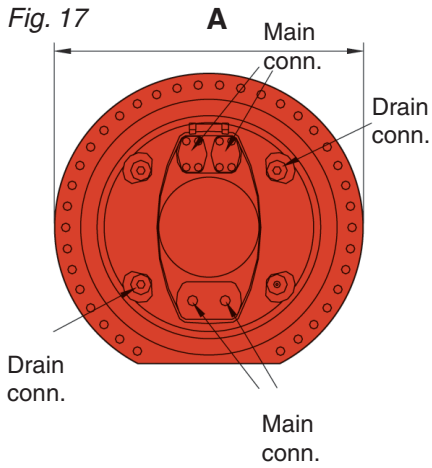
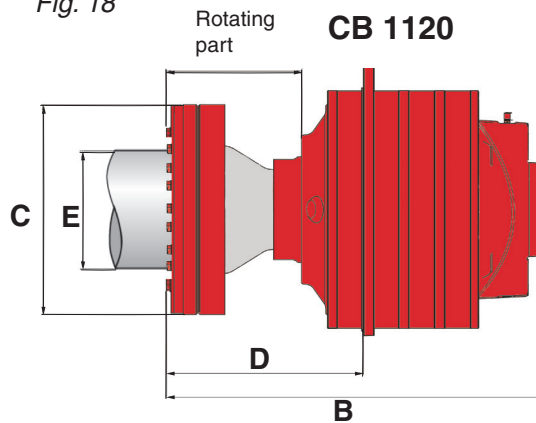


Fig. 18



Note. Shaft adapter is only available as accessory

Table 5

| Motor-type | A (mm) | B (mm) | C (mm) | D (mm) | E dw (mm) | Weight (kg) | Main conn. | Drain conn. |
|------------|--------|--------|--------|--------|-----------|-------------|---------------|-------------|
| CB 280 | 782 | 612 | 680 | 241 | 180 | 800 | SAE 1 1/4" *) | BSP 1 1/4" |
| CB 400 | 782 | 740 | 680 | 251 | 200 | 1160 | | |
| CB 560 | 940 | 767 | 800 | 396 | 260 | 1290 | | |
| CB 840 | 940 | 885 | 800 | 396 | 260 | 1620 | SAE 1 1/2" *) | |
| CB 1120 | 940 | 1257 | 800 | 650 | 340 | 2340 | | |

*) Both SAE 1 1/4" and SAE 1 1/2" can be used.

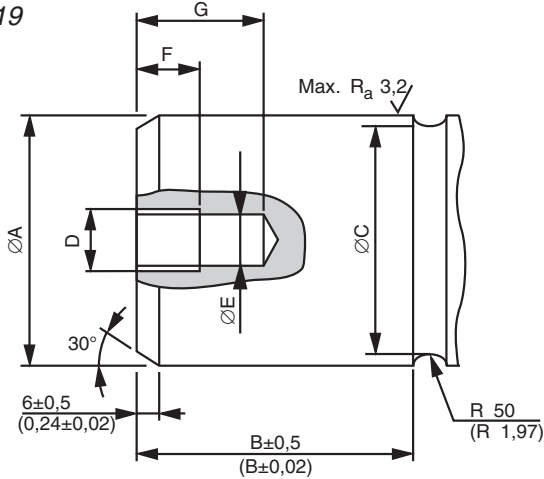
Dimensions

With hollow shaft, shaft coupling.

Design of driven shaft end on heavily loaded shaft.

Where the driven shaft is heavily loaded and is subject to high stresses, for example for changes in the direction of rotation and/or load, it is recommended that the driven shaft should have a stress relieving groove; see figure below and tables 6, 7 and 8.

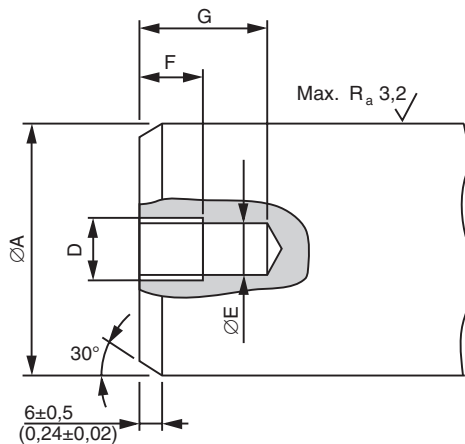
Fig. 19



Normally loaded shaft

In drives with only one direction of rotation and/or load where the stresses in the shaft are moderate, the shaft can be plain, see fig. 16 and tables 1, 2 and 3.

Fig. 20



Mounting tool for CB 280-840

Mounting the motor (fig. 21) onto the shaft with mounting tool MTMB art. nr. 378 0846-801 (same as for MA 141 - MB 800)

Table 6

| Dim | CB 280 | CB 400 | CB 560/840 |
|----------------------|---|---|--|
| A mm in | 180 ^{-0.014} 7.0866 ^{-0.00055} _{-0.054} _{-0.00215} | 200 ^{-0.015} 7.8740 ^{-0.00059} _{-0.061} _{-0.00240} | 260 ^{-0.017} 10.2362 ^{-0.00067} _{-0.069} _{-0.00272} |
| B mm in | 106 4.17 | 117 4.61 | 153 6.02 |
| C mm in | 174 6.85 | 194 7.64 | 254 10 |

Note! The dimensions are valid for +20 °C (68 °F)

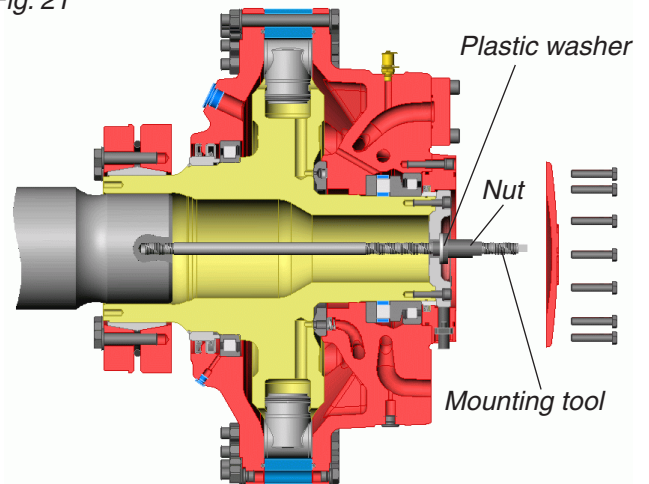
Table 7 Recommended material in the shaft

| Unidirectional drives |
|---|
| Steel with yield strength $Re_{l\min} = 300 \text{ N/mm}^2$ |
| Bidirectional drives |
| Steel with yield strength $Re_{l\min} = 450 \text{ N/mm}^2$ |

Table 8 Alternative thread (fig. 19 & 20)

| D E F G | CB 280 - CB 840 | |
|------------------|---|--|
| | M20 >17 (0.67) 25 (0.98) 50 (1.97) | UNC 5/8" >13.5 (0.53) 22 (0.87) 30 (1.18) |

Fig. 21

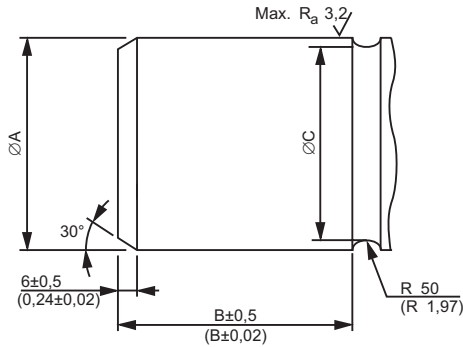


Dimensions CB1120

Design of driven shaft end on heavily loaded shaft.

Where the driven shaft is heavily loaded and is subject to high stresses, for example for changes in the direction of rotation and/or load, it is recommended that the driven shaft should have a stress relieving groove; see figure below and tables.

Fig. 22



Normally loaded shaft

In drives with only one direction of rotation and/or load where the stresses in the shaft are moderate, the shaft can be plain, see figure below.

Fig. 23

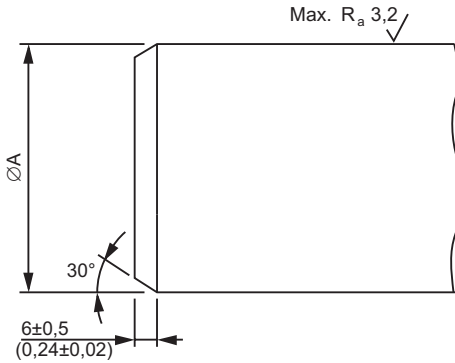


Table 9

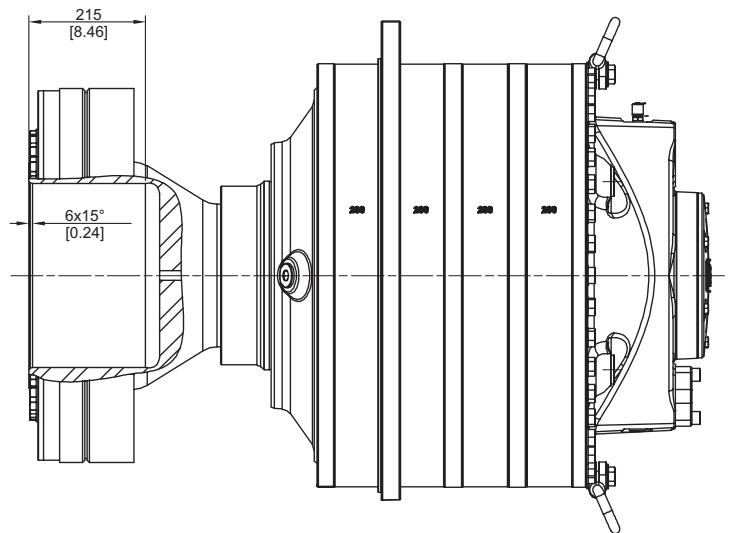
| Dim | CB 1120 |
|---------------|--|
| A mm in | 340 ^{-0.018} _{-0.075} 13.3858 ^{-0.00068} _{-0.00292} |
| B mm in | 215 8.46 |
| C mm in | 334 13.15 |

Note! The dimensions are valid for +20 °C (68 °F)

Table 10 Recommended material in the shaft

| Unidirectional drives |
|---|
| Steel with yield strength $Re_{l_{min}} = 300 \text{ N/mm}^2$ |
| Bidirectional drives |
| Steel with yield strength $Re_{l_{min}} = 450 \text{ N/mm}^2$ |

Fig. 24



Accessories

Torque arm, type TCA 40 - 112

Easy to apply - Hägglunds torque arms.

A shaft mounted gearless drive is achieved by utilizing the standard Hägglunds torque arm. Spline shaft for external load, or shaft for shaft coupling can be used.

As a result, alignment problems, expensive flexible couplings and bed plates are eliminated.

Fig. 25 Torque arm

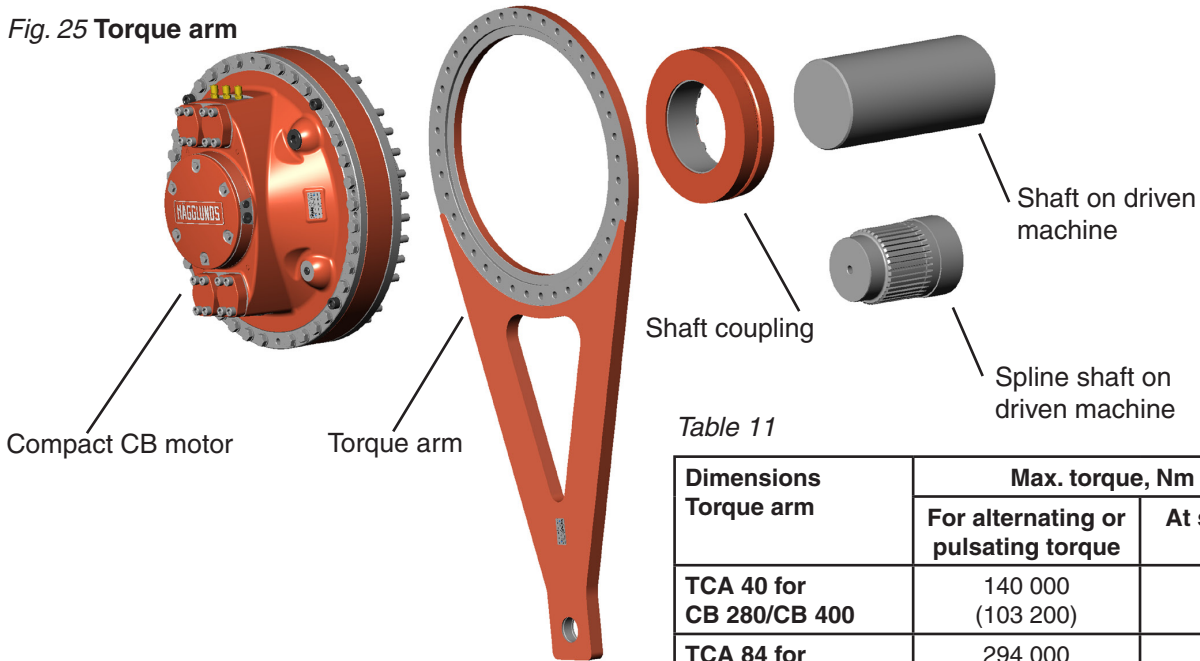


Table 11

| Dimensions Torque arm | Max. torque, Nm (lbf-ft) | |
|-----------------------------|-------------------------------------|----------------------|
| | For alternating or pulsating torque | At static torque |
| TCA 40 for CB 280/CB 400 | 140 000 (103 200) | 170 000 (125 300) |
| TCA 84 for CB 560/CB 840 | 294 000 (216 700) | 350 000 (258 000) |
| TCA 112 for CB 1120 | 392 000 (289 000) | 470 000 (347 000) |

Table 12

| Torque arm | A mm (in) | B mm (in) | C mm (in) | D Ø | E mm (in) | T mm (in) | Weight kg (lb) |
|------------------------------------|------------------|-----------------|----------------|--------|-----------------|--------------|-------------------|
| TCA 40 for CB 280 and CB 400 | 1721 (67.76) | 1250 (49.21) | 545 (21.46) | M20 | 820 (32.28) | 36 (1.42) | 162 (357) |
| TCA 84 for CB 560 and CB 840 | 2088 (82.21) | 1500 (59.05) | 545 (21.46) | M24 | 1088 (42.84) | 36 (1.42) | 258 (568) |
| TCA 112 for CB 1120 | 2588 (101.89) | 2000 (78.74) | 545 (21.46) | M24 | 1088 (42.84) | 36 (1.42) | 344 (759) |

Fig. 26

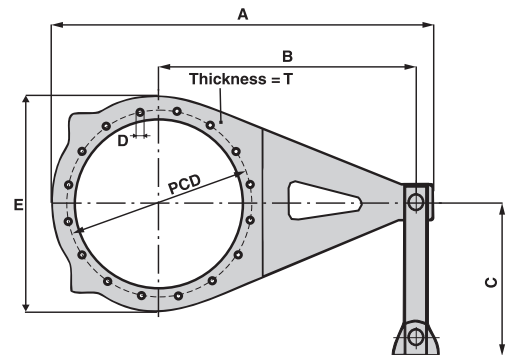
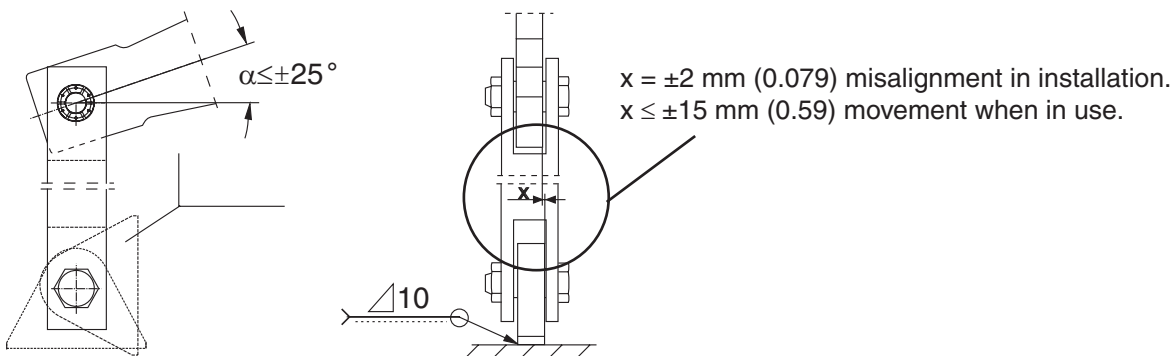


Fig. 27 Mounting of pivoted attachment



Note: Ideal angle = 0°

Double ended torque arm, DTCB 40 - DTCB 84

Double ended torque arm, including double acting hydraulic cylinder and pivoted attachment.

Following are included in delivery:

- Screws and washers (motor-torque arm)
- Hose kit + clamps
- Hose flange connections

Fig. 28

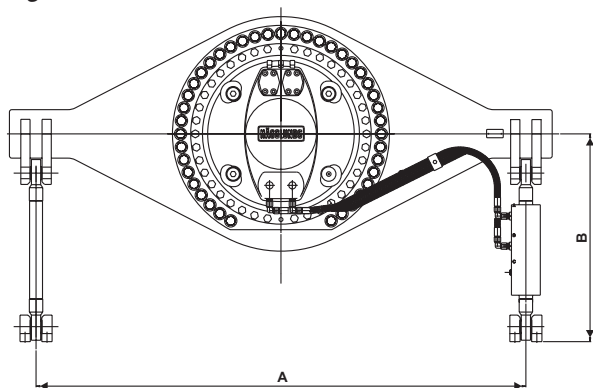


Table 13

| Torque arm | Motor type | Ordering code | A mm (in) | B mm (in) | Weight kg (lb) |
|-------------|--------------|---------------|------------------|-----------------|----------------------|
| DTCB 40 | CB 280 | 078 1476-802 | 2120 (83.46) | | 335 (739) |
| | CB 280-240 | 078 1476-801 | | | |
| | CB 400 | 078 1476-804 | | | |
| | CB 400-560 | | | | |
| | CB 400-520 | | | | |
| | CB 400-480 | | | | |
| | CB 400-440 | 078 1476-802 | | | |
| | CB 400-360 | | | | |
| | CB 400-320 | | | | |
| | CB 400-280 | 078 1476-801 | | | |
| CB 400-240 | | | | | |
| DTCB 84 | CB 560 | 078 1476-806 | 3000 (118.11) | 900 (35.43) | 500 (1102) |
| | CB 560-520 | 078 1476-805 | | | |
| | CB 560-480 | | | | |
| | CB 560-440 | | | | |
| | CB 840 | 078 1476-809 | | | |
| | CB 840-800 | | | | |
| | CB 840-760 | 078 1476-808 | | | |
| | CB 840-720 | | | | |
| | CB 840-680 | | | | |
| | CB 840-640 | | | | |
| | CB 840-600 | 078 1476-807 | | | |
| | CB 1120 | 078 1476-809 | | | |
| | CB 1120-1080 | | | | |
| | CB 1120-1040 | | | | |
| | CB 1120-1000 | | | | |
| CB 1120-960 | | | | | |
| CB 1120-920 | | | | | |
| CB 1120-880 | | | | | |

Mounting set SMCB1 for speed encoder

Speed encoder kit for Compact CB 280-CB 1120 motors where the speed encoder is enclosed and well protected.

The mounting set can be used for both spline and shaft coupling motors.

The encoder is used for detection of speed by pulse- frequency or/either direction of rotation by pulse-train.

Fig. 29



Fig. 30 CB 280-CB 1120 with SMCB1



Cross-over valve, COCB 1000

The valve is designed for use with Compact motors CB 280-CB 1120. The valve is bolted directly on the motor, and the valve protects the motor and system from too high pressure, if the motor is suddenly stopped.

The relief valves have a standard pressure settings of 350 bar (5075 psi), but are fully adjustable between 50 bar (500 psi) to 350 bar (5075 psi). Pressure setting is made without charge pressure. Screws and O-rings are included in delivery.

The valve for charge pressure have a standard pressure setting of 15 bar (214 psi), but are fully adjustable down to 3 bar (42 psi).

Anti-cavitation check valves are built into the block, and makes it possible to arrange for external supply of charge pressure.

Fig. 31 COCB mounted on motor

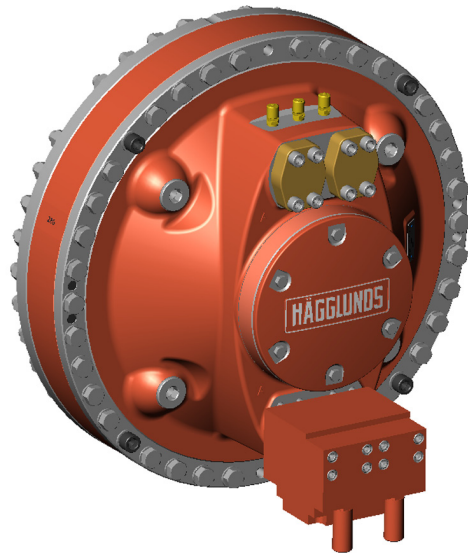
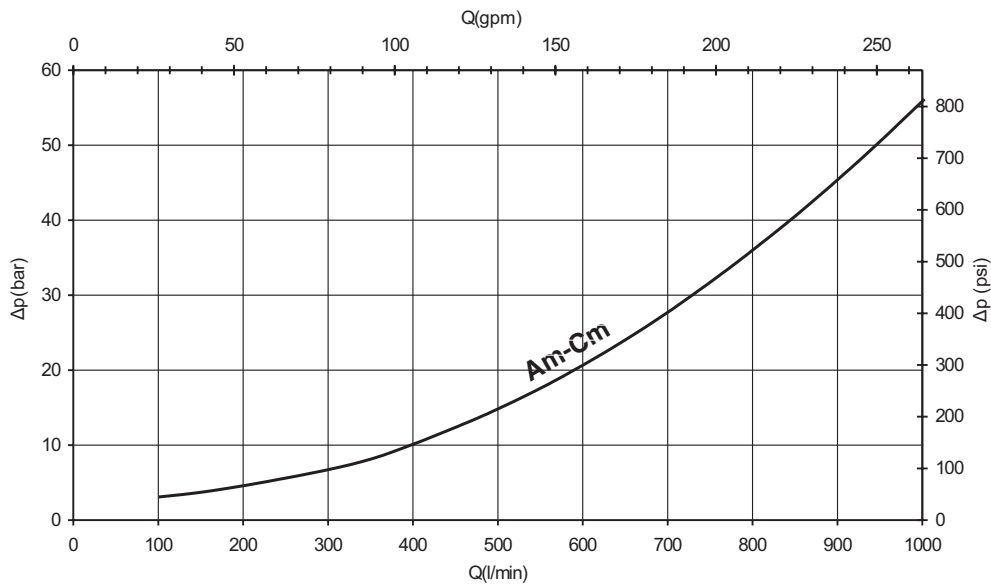


Diagram 1 Pressure loss, COCB



Shaft coupling set, CB 1120

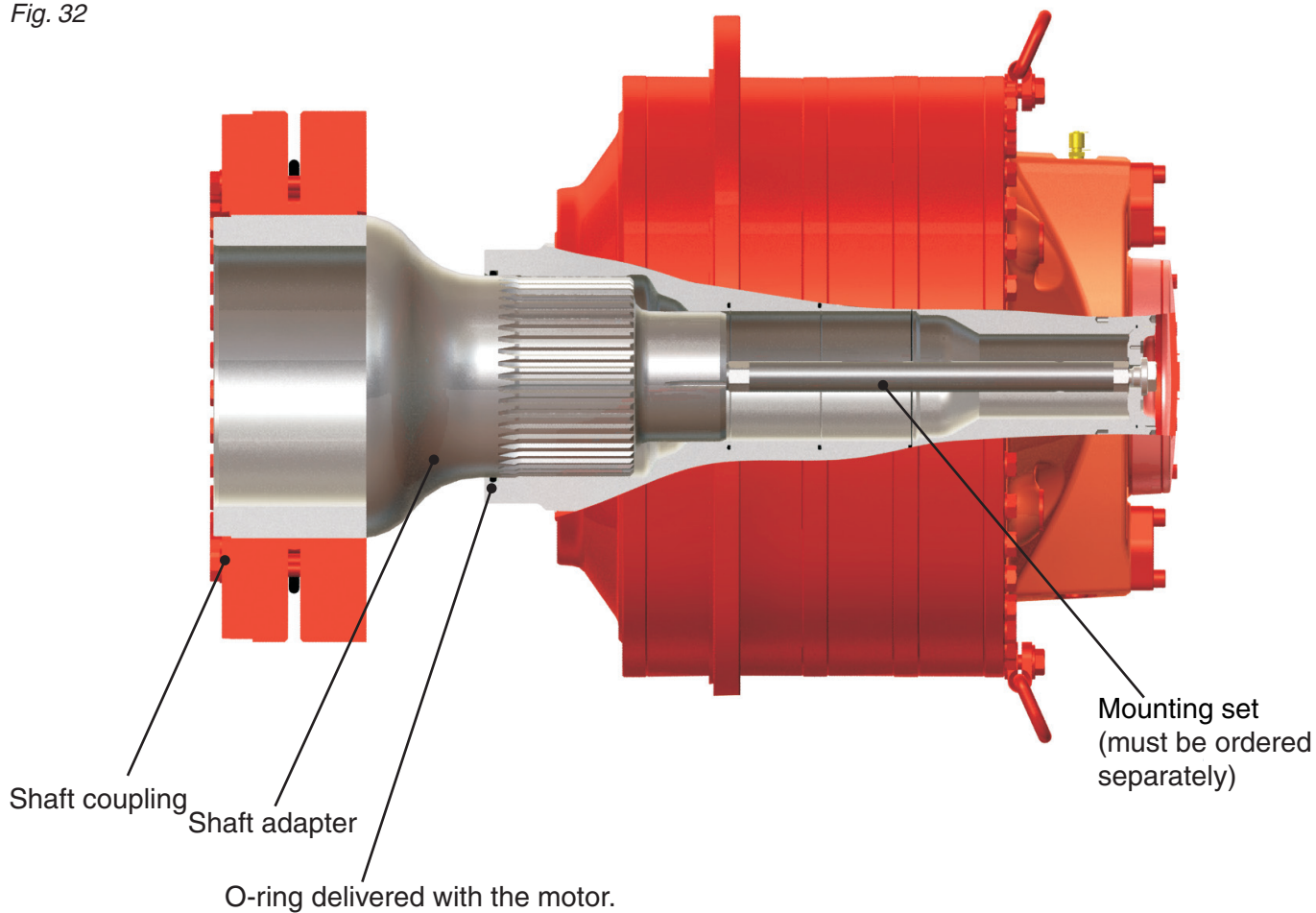
The set includes shaft coupling and shaft adapter. Mounting set must be ordered separately. The kit is designed for shaft, that can not be made with splines.

Ordering Code

Shaft coupling set CB 1120

078 1322-801

Fig. 32



Weight of complete set: 573 kg (1263 lb).

Diagrams for Compact CB

Diagram 2 Charge pressure - Compact CB 2-port connection

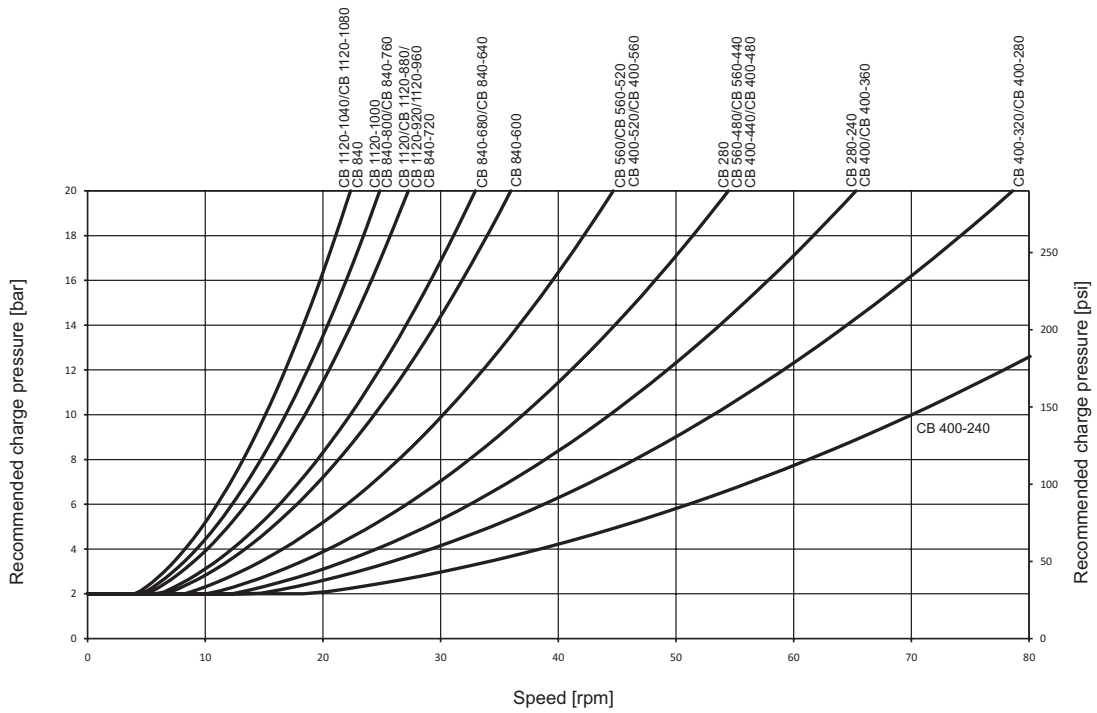
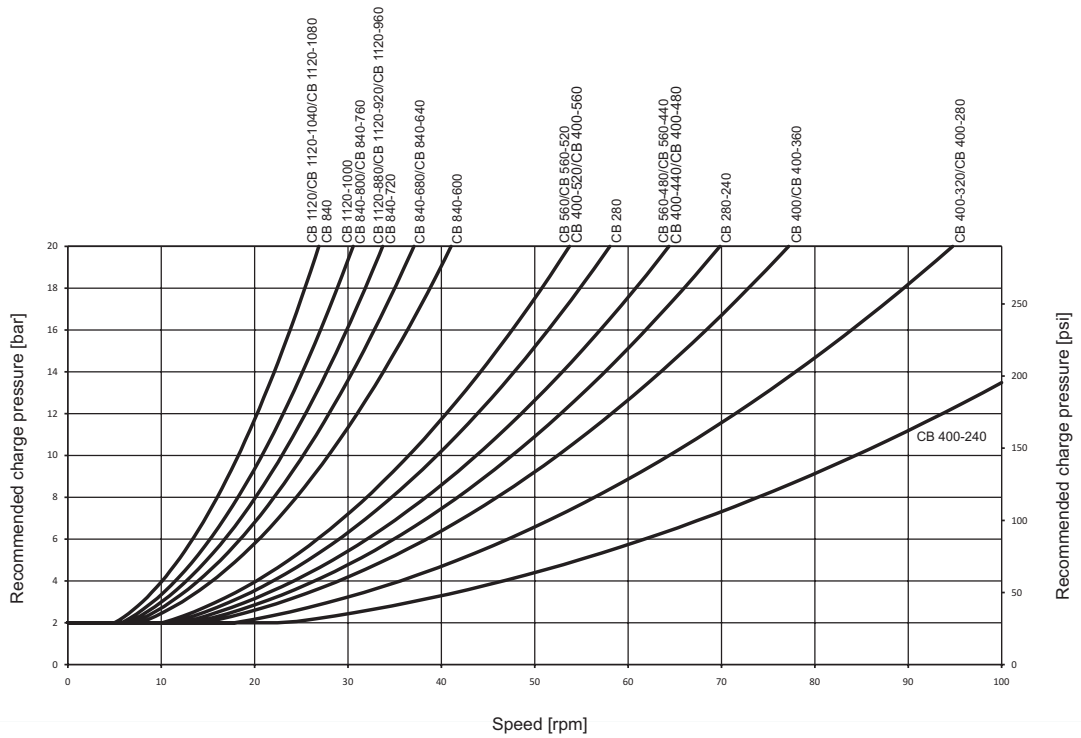


Diagram 3 Charge pressure - Compact CB 4-port connection



Case 1: The motor works in braking mode. Required charge pressure at the inlet port is according to diagram above.

Case 2: The motor works in driving mode only. Required back pressure at the outlet port corresponds to 30% of value given in diagram above, but may not be lower than 2 bar (29 psi).

Diagrams for Compact CB

Overall efficiency, oil viscosity 40 cSt/187 SSU, Pc = 15 bar (217 psi)

Diagram 4 CB 280, 2 ports

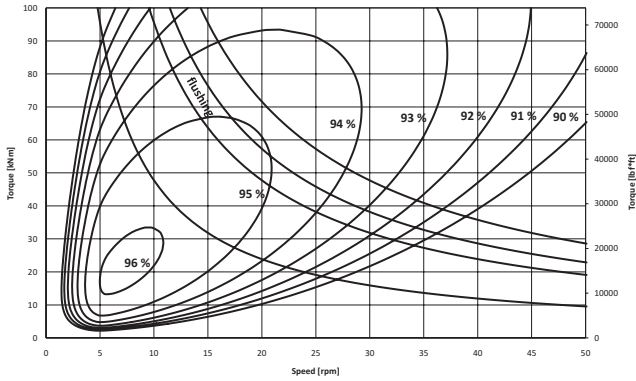


Diagram 5 CB 280, 4 ports

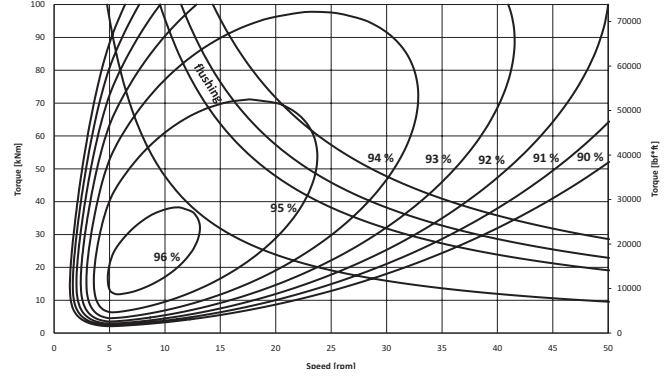


Diagram 6 CB 400, 2 ports

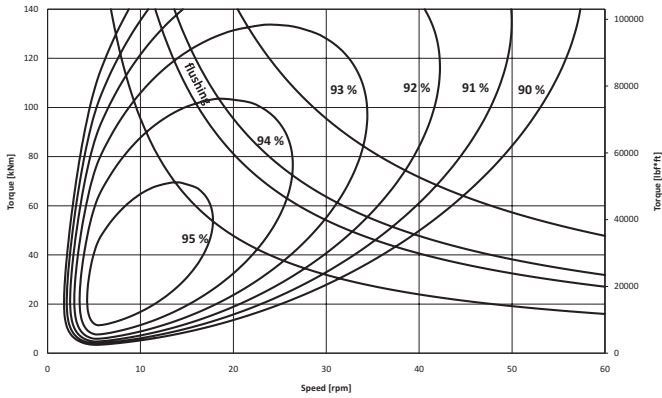


Diagram 7 CB 400, 4 ports

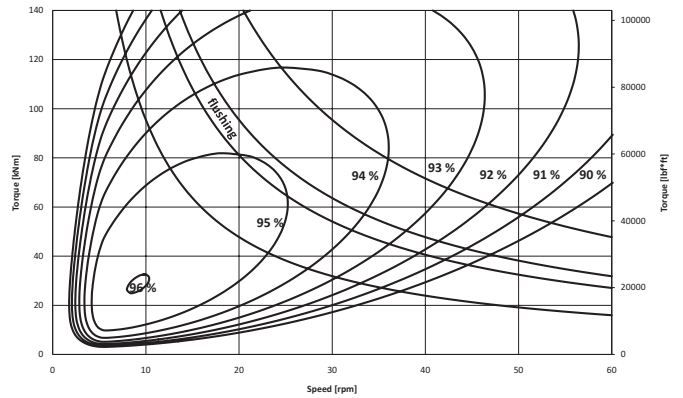


Diagram 8 CB 560, 2 ports

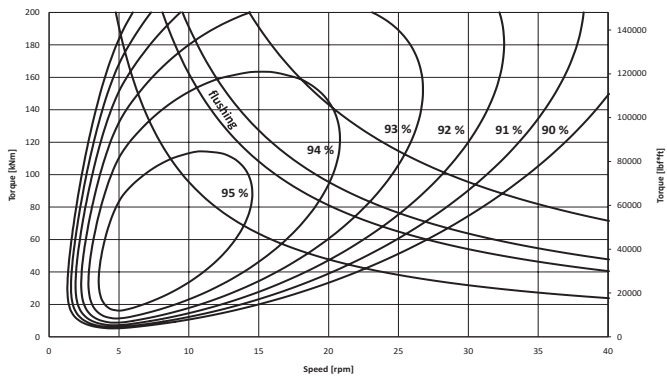


Diagram 9 CB 560, 4 ports

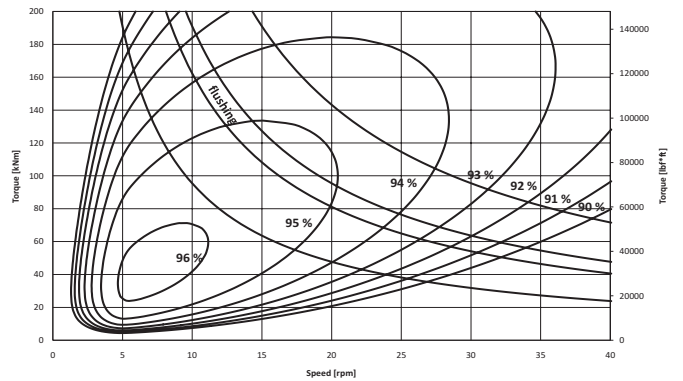


Diagram 10 CB 840, 2 ports

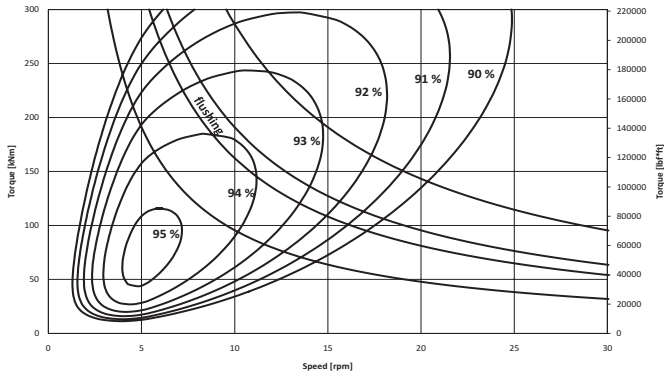


Diagram 11 CB 840, 4 ports

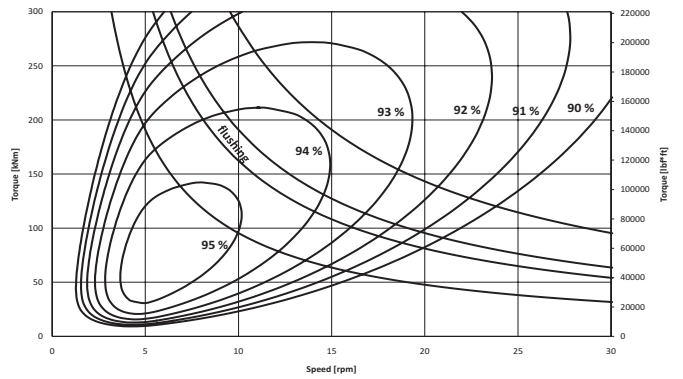


Diagram 12 CB 1120, 2 ports

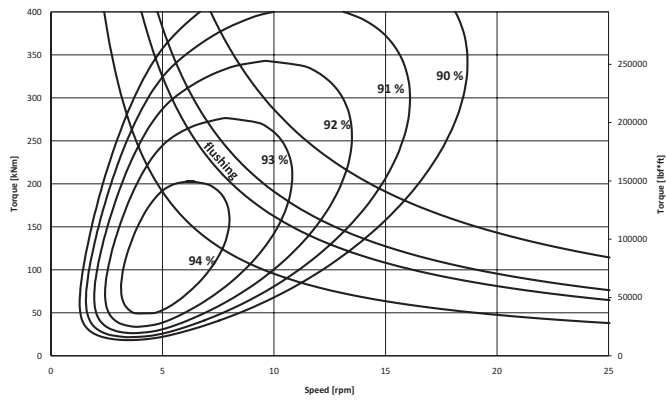
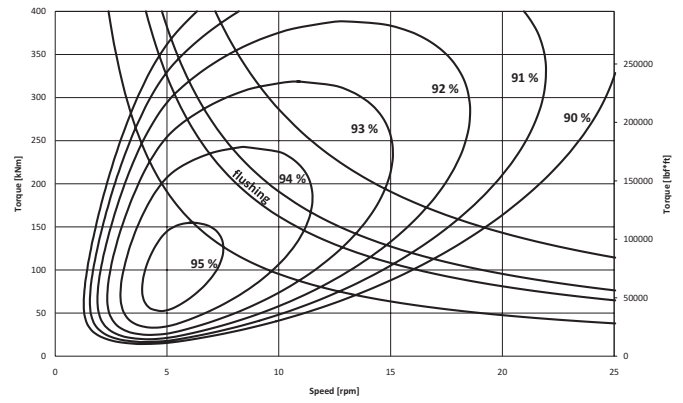


Diagram 13 CB 1120, 4 ports



For more information about flushing of motor case please see ACB-4.5.

Flushing of motor case

The Compact CB motors have very high total efficiency, and they are now frequently used in applications with high power. To avoid high temperature in the motor case, the losses generated in the motors must be cooled away, because high temperature gives lower viscosity and this gives reduction in rating life and max allowed power for the motor.

For continuous duty the motor case must be flushed when the power exceed the following max power:

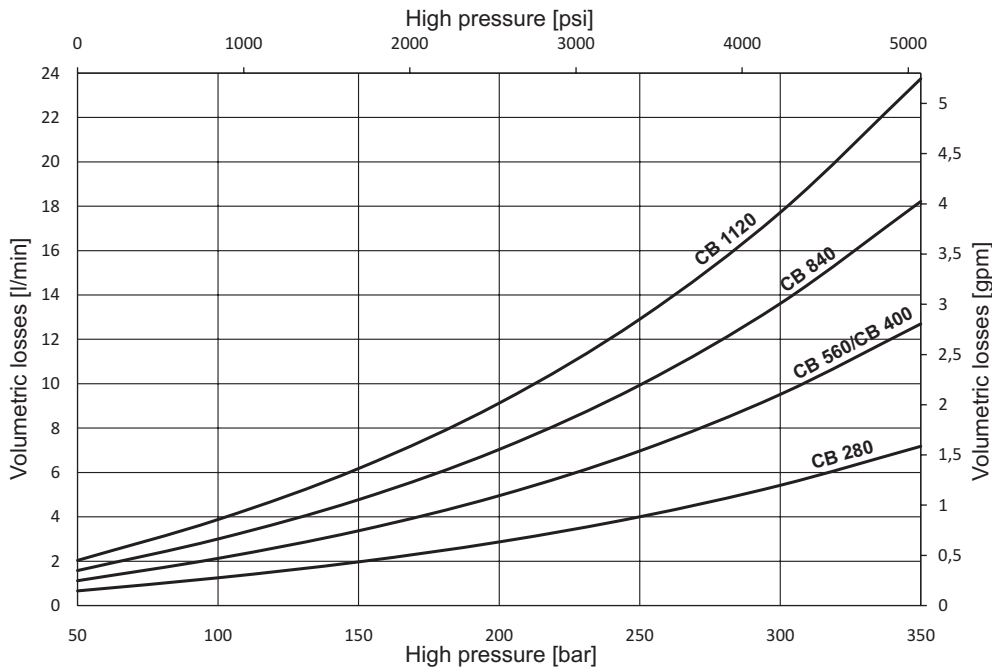
Max power without flushing

| | | |
|---------------------|--------|----------|
| CB 280 | 120 kW | (160 hp) |
| CB 400/560/840/1120 | 170 kW | (227 hp) |

Volumetric losses - Compact CB motors

Valid for an oil viscosity of 40 cSt/187 SSU.

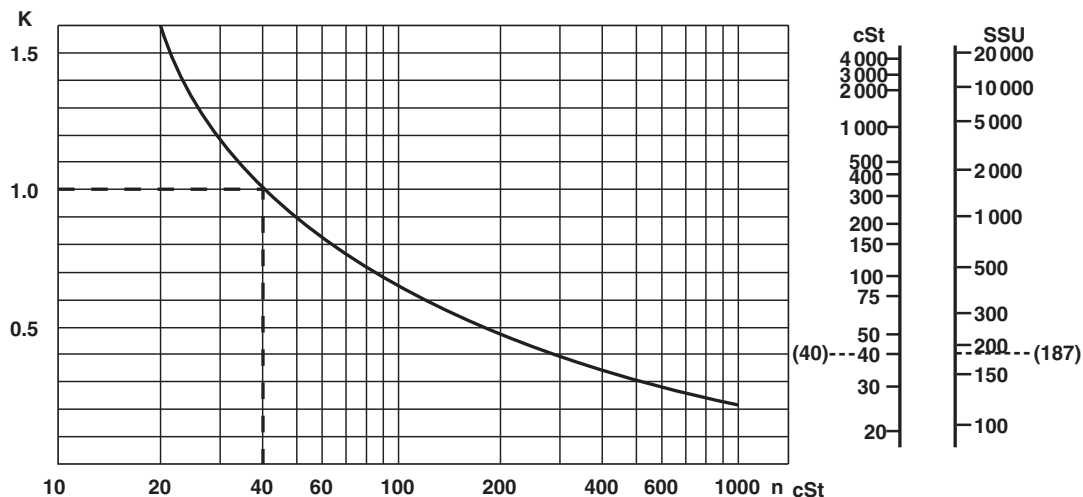
Diagram 14



Variation in volumetric loss at different oil viscosities for Compact motors

When calculating volumetric losses using other viscosities than 40 cSt/187 SSU, multiply the value given in the volumetric loss diagram by the factor K.

Diagram 15



Diagrams for Compact

Pressure loss, oil viscosity 40 cSt/187 SSU

Diagram 16 CB 280 pressure loss 2 ports

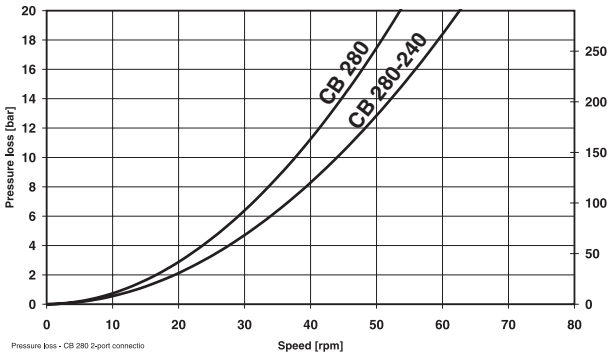


Diagram 17 CB 280 pressure loss 4 ports

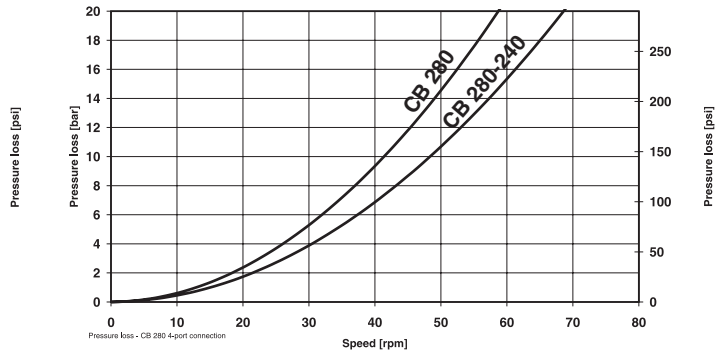


Diagram 18 CB 400 pressure loss 2 ports

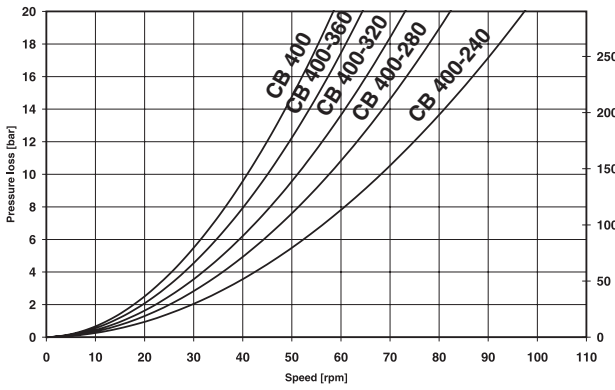


Diagram 19 CB 400 pressure loss 4 ports

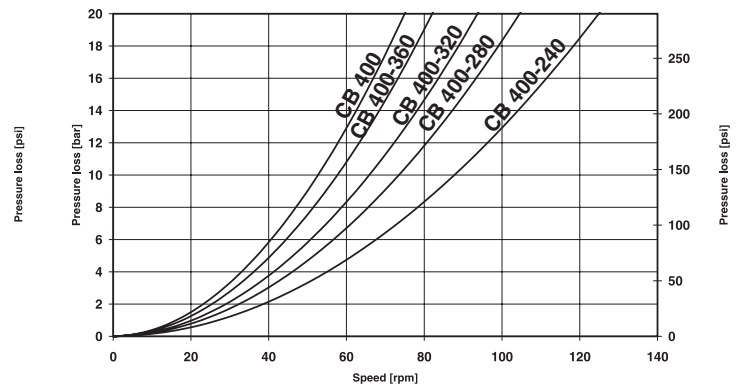


Diagram 20 CB 560 pressure loss 2 ports

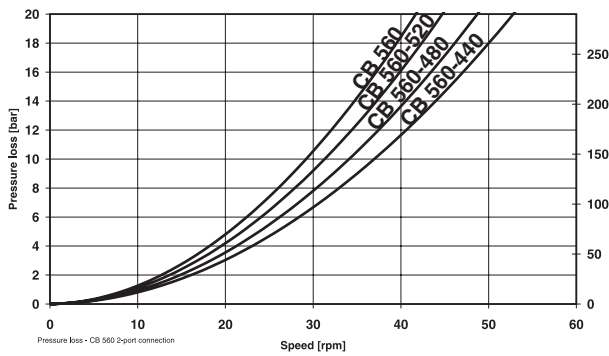


Diagram 21 CB 560 pressure loss 4 ports

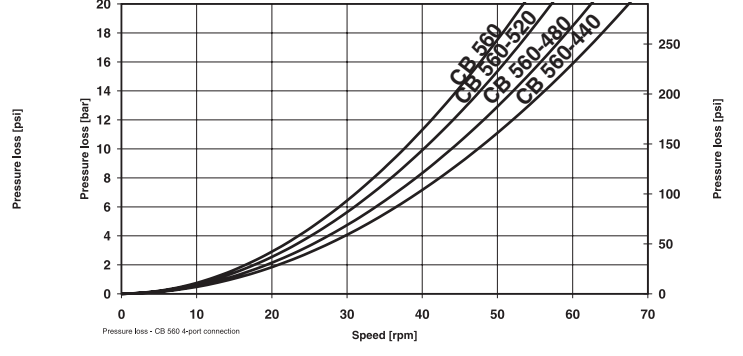


Diagram 22 CB 840 pressure loss 2 ports

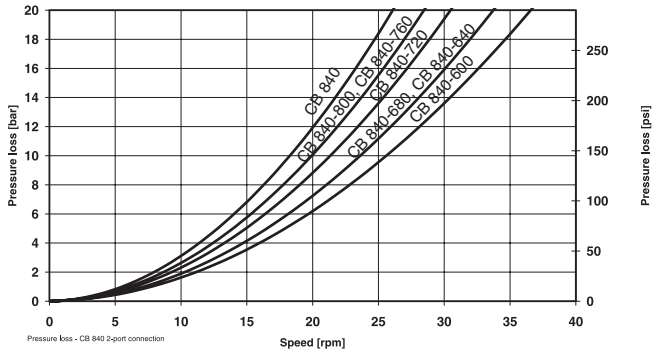


Diagram 23 CB 840 pressure loss 4 ports

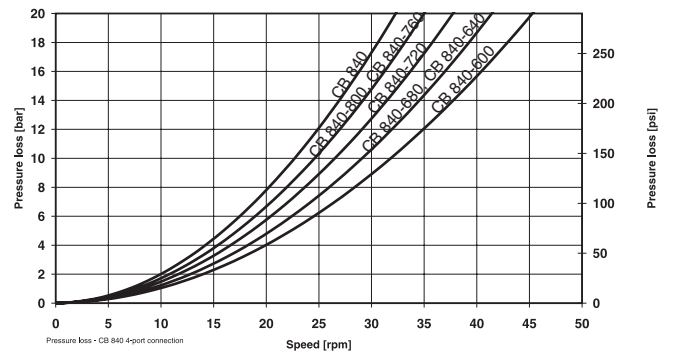


Diagram 24 CB 1120 pressure loss 2 ports

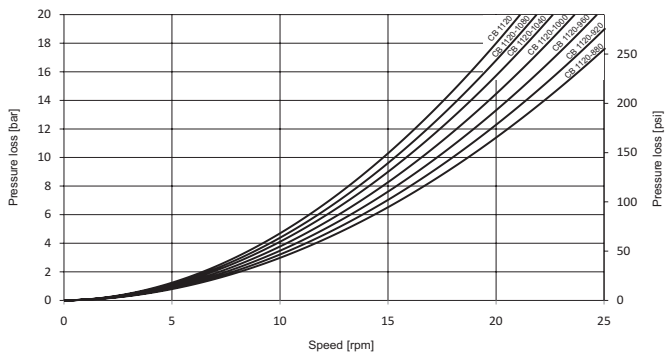
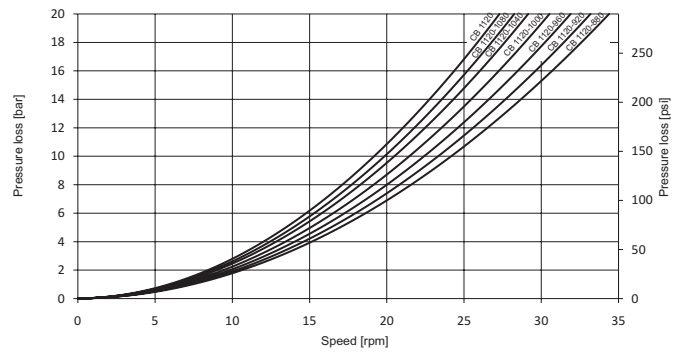
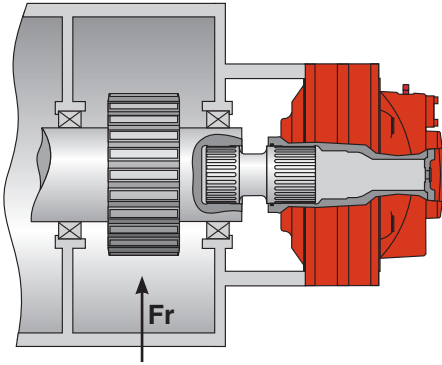


Diagram 25 CB 1120 pressure loss 4 ports



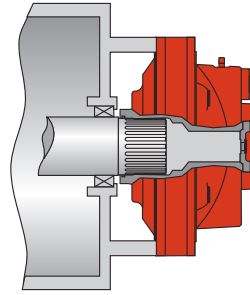
Versatile mounting - examples of installations

Fig. 33



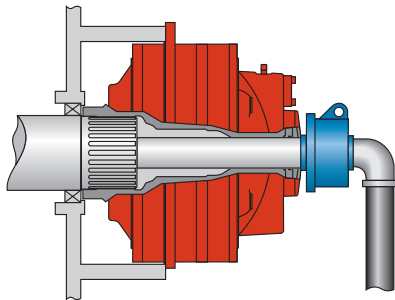
Flange mounted motor with splines and high radial load F_r on driven shaft.

Fig. 34



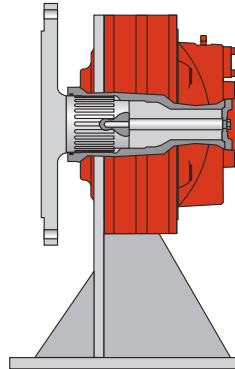
Flange mounted motor with splines and low radial load from driven shaft.

Fig. 35



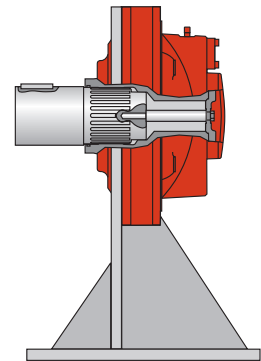
Flange mounted motor with spline and through hole for cooling of driven machine.

Fig. 36



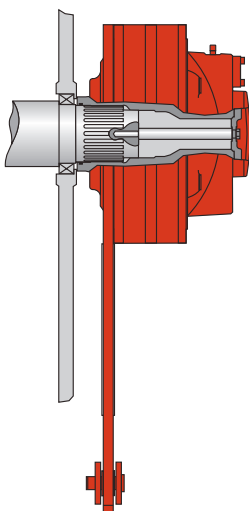
Bracket mounted motor with flange adapter.

Fig. 37



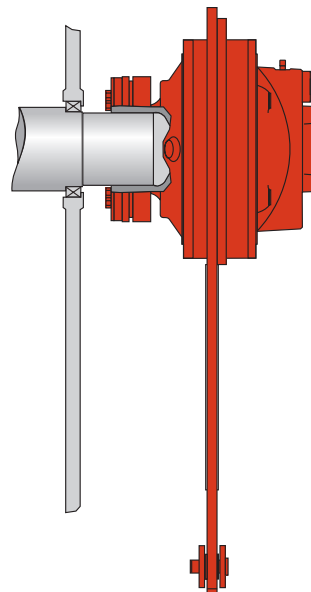
Bracket mounted motor with stub shaft.

Fig. 38



Torque arm mounted motor with splines.

Fig. 39



Torque arm mounted motor with shaft coupling.

Choice of hydraulic fluid

The Hägglunds hydraulic motors are primarily designed to operate on conventional petroleum based hydraulic oils. The hydraulic oil can be chosen in consultation with the oil supplier of your local sales office, bearing the following requirements in mind:

GENERAL

The oil shall have FZG (90) fail stage minimum 11 described in IP 334 (DIN 51354). The oil must also contain inhibitors to prevent oxidation, corrosion and foaming. The viscosity of mineral oil is highly dependent of the temperature. The final choice of oil must depend on the operating temperature that can be expected or that has been established in the system and not in the hydraulic tank. High temperatures in the system greatly reduce the service life of oil and rubber seals, as well as resulting in low viscosity, which in turn provides poor lubrication. Content of water shall be less than 0,1%. In industrial applications with high demands for service life, the content of water shall be less than 0,05%.

Viscosity index = 100 is recommended. Viscosity index = 150 can be used for operation with large temperature difference, however many hydraulic fluids are subject to temporary and permanent reductions of the viscosity. Hägglunds recommendation is always to use the base oil viscosity when calculating the rated life and max allowed power. For heavy-duty applications we recommend synthetic oils.

RECOMMENDED VISCOSITY IN MOTOR CASE AT OPERATING TEMPERATURE 40-150 cSt/187-720 SSU. FOR SPEEDS BELOW 3 RPM, COATED PISTON OR HIGH VISCOSITY SHALL BE USED.

| Temperature limits | |
|--|---------------------------------------|
| Normal operating temperature should be less than +50 °C (122 °F) | |
| Nitrile seals (std motor) Viton seals | -35 °C to +70 °C -20 °C to +100 °C |
| Nitrile seals (std motor) Viton seals | -31 °F to +158 °F -4 °F to +212 °F |

| Minimum viscosity limits at operating temperature in motor case | |
|--|-----------------|
| Standard motors with uncoated piston and uncoated cam rollers | 20 cSt/98 SSU * |
| Motors type C (coated pistons and coated cam rollers) for speed below 3 rpm or when charge pressure exceeds 50 bar (725 psi) at speed above 50 rpm | 10 cSt/59 SSU |

* Low viscosity gives reduced service life for the motors

Maximum permitted viscosity is 10 000 cSt/48 000 SSU.

Fire resistant fluid

The following fluids are tested for Hägglunds motors (ISO/DP 6071).

| Fluid | Approved | Seals | Internal paint |
|--|----------|----------------------|----------------|
| HFA: Oil (3-5%) in water emulsion | No | - | - |
| HFB: Inverted emulsion 40-45% water in oil | Yes | Nitrile (std motor) | Not painted* |
| HFC: Water-glycol | Yes | Nitrile (std motor)* | Not painted* |
| HFD synthetic fluids | | | |
| HFD:R - Phosphate esters | Yes | Viton | Not painted* |
| HFD:S - Chlorinated hydrocarbons | Yes | Viton | Not painted* |
| HFD:T - Mixture of the above | Yes | Viton | Not painted* |
| HFD:U - Other compositions | Yes | Viton | Not painted* |

* Must be specified in the order.

Choice of hydraulic fluid

Down rating of pressure data and basic rating life

Down rating of pressure, for motors used in systems with fire resistant fluids, the maximum pressure for motor given on data sheet must be multiplied with following factors:

| | |
|-----------|----------------------------------|
| HFA-fluid | not fit for use |
| HFB-fluid | 0.7 x maximum pressure for motor |
| HFC-fluid | 0.7 x maximum pressure for motor |
| HFD-fluid | 0.9 x maximum pressure for motor |

Down rating of basic rating life, for motors used in systems with fire resistant fluids, the "expected basic rated life" must be multiplied with following factors:

| | |
|-----------|---------------------------------------|
| HFA-fluid | not fit for use |
| HFB-fluid | 0.26 x expected life with mineral oil |
| HFC-fluid | 0.24 x expected life with mineral oil |
| HFD-fluid | 0.80 x expected life with mineral oil |

Filtration

The oil in a hydraulic system must always be filtered and also new oil from your supplier has to be filtered when adding it to the system. The grade of filtration in a hydraulic system is a question of service life v.s. money spent on filtration.

In order to obtain stated service life it is important to follow our recommendations concerning contamination level.

When choosing the filter it is important to consider the amount of dirt particles that the filter can absorb and still operate satisfactory. For that reason we recommend a filter with an indicator that gives a signal when it is time to change the filter cartridge.

Filtering recommendations

Before start-up, check that the system is thoroughly cleaned.

1. For industrial applications the contamination level should not exceed ISO 4406:1999 18/16/13 (NAS 1638, class 7).
2. When filling the tank and motor case, we recommend the use of a filter with the grade of filtration $\beta_{10}=75$.

Explanation of "Grade of Filtration"

Grade of filtration $\beta_{10}=75$ indicates the following:

β_{10} means the size of particle $\geq 10\mu\text{m}$ that will be removed by filtration.

$=75$ means the grade of filtration of above mentioned size of particle. The grade of filtration is defined as number of particles in the oil before filtration in relation to number of particles in the oil after filtration.

Ex. Grade of filtration is $\beta_{10}=75$.

Before the filtration the oil contains N number of particles $\geq 10\mu\text{m}$ and after passing the filter once the oil

contains $\frac{N}{75}$ number of particles $\geq 10\mu\text{m}$.

This means that $N - \frac{N}{75} = \frac{74 \cdot N}{75}$ number of particles have been filtered (=98.6%).

Environmentally acceptable fluids

| Fluid | Approved | Seals | Internal paint |
|--------------------------|----------|---------------------|----------------|
| Vegetable */** Fluid HTG | Yes | Nitrile (std motor) | - |
| Synthetic ** Esters HE | Yes | Nitrile (std motor) | - |

*Vegetable fluids give good lubrication and small change of viscosity with different temperature. Vegetable fluids must be controlled every 3 months and temperature shall be less than +45 °C (113 °F) to give good service life for the fluid.

**Environmentally acceptable fluid give the same service life for the drive, as mineral oil.

Declaration of Conformity

Example of the Declaration of Conformity given by Hägglunds Drives AB



Declaration of Incorporation of partly completed machinery As defined by the EC Machinery Directive 2006/42/EC, Appendix II B

The manufacturer
Hägglunds Drives AB
hereby declares that the partly completed machinery

Name: Compact CB
Function: Hydraulic motor
Model: Compact
Type: CB
Trade name: Compact CB

satisfies the following essential requirements of Machinery Directive 2006/42/EC in accordance with the chapter numbers in Appendix I:

| General principle no. 1. | | | | | | | | | |
|--------------------------|-------|-------|--------|-------|-------|-------|-------|-------|-------|
| 1.1.3 | 1.1.5 | 1.3.1 | 1.3.2 | 1.3.3 | 1.3.4 | 1.3.6 | 1.3.7 | 1.5.3 | 1.5.4 |
| 1.5.5 | 1.5.6 | 1.5.8 | 1.5.13 | 1.6.1 | 1.6.3 | 1.7.3 | 1.7.4 | | |
| | | | | | | | | | |
| | | | | | | | | | |
| | | | | | | | | | |
| | | | | | | | | | |

The requirements are fulfilled provided that the data in the product documentation (fitting instructions, operating instructions, project management and configuration documents) are implemented by the product user. The requirements of Appendix I to Machinery Directive 2006/42/EC not mentioned here are not applied and have no relevance for the product.

It is also declared that the special technical documents for this partly completed machinery have been compiled in accordance with Appendix VII, Part B. These are transferred on request to the market surveillance body in paper-based/electronic format.

Conformity with the provisions of further EU Directives, Standards or Specifications:

SS-EN 982
SS-EN ISO 12100-1
SS-EN ISO 12100-2

The partly completed machinery may only be put into operation when it has been established that the machine into which the partly completed machinery is to be incorporated conforms to the provisions of EC Machinery Directive 2006/42/EC, where relevant according to this directive.

The individual below is authorized to compile the relevant technical files:

Name: Björn Leidelöf
Address: Hägglunds Drives AB, S-890 42 Mellansel

Mellansel, 2009-12-29

We reserve the right to make changes to the content of the Declaration of Incorporation. Current issue on request.

The Declaration of Conformity above, is available on request for deliveries from Hägglunds Drives AB. Translations into other languages are also available.

Häggglunds Drives AB
SE-895 80 Mellansel, Sweden
Tel: + 46 (0)660 870 00.
E-mail: info@se.hagglunds.com
www.hagglunds.com

Our drive is your performance.

