

## HC6H miniBOOSTER



**HC6H version:** 8 intensification factor

**P<sub>IN</sub>:** 20 – 207 bar (inlet pressure)

**P<sub>H</sub>:** 5,000 bar maximum (outlet pressure)

**P<sub>RETURN</sub>:** As low as possible (return pressure to tank)

**P<sub>OUTLET</sub>:**  $P_H = (P_{IN} - P_{RETURN}) \cdot I$  (intensification)

**Mounting:** Inline tube

**Accessories:** Pilot- operated dump valve available

**A model** = no dump valve

**B model** = with dump valve, up to 3,000 bar

### Description

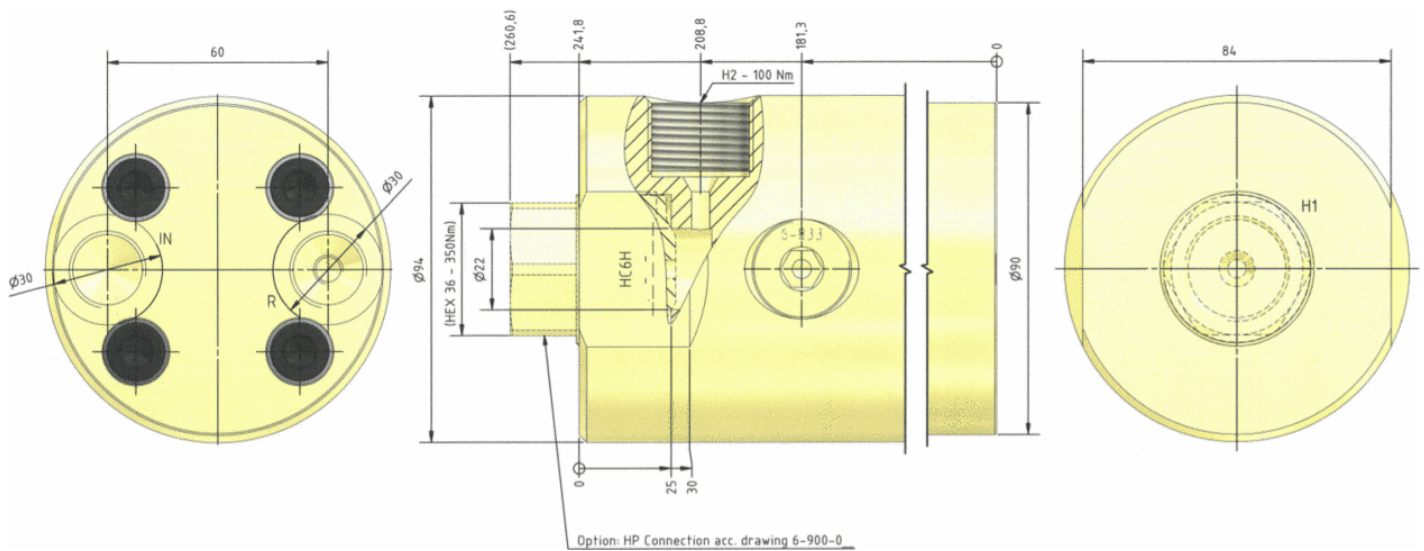
The HC6H is an ultra high- pressure unit which is capable of delivering up to 5,000 bar and 1.0 l/ min flow on the high- pressure end. Like other miniBOOSTER models, the HC6H raises supplied pressure to a higher outlet pressure and automatically compensates for consumption of oil to maintain the high pressure.

Adjustment of the outlet pressure is carried out by varying the supplied pressure. Relative to its flow capability, the HC6H is a compact unit weighing only 11.0 kg.

### Flow rates

Intensification factor i	Approx. outlet flow l/ min	Max. inlet flow l/ min
6.3	7.0	50.0
8.2	5.0	50.0
9.5	4.2	50.0
11.0	3.5	50.0
13.0	3.0	50.0
16.0	2.5	50.0
20.0	2.0	50.0
25.0	1.0	50.0

## Dimension drawing



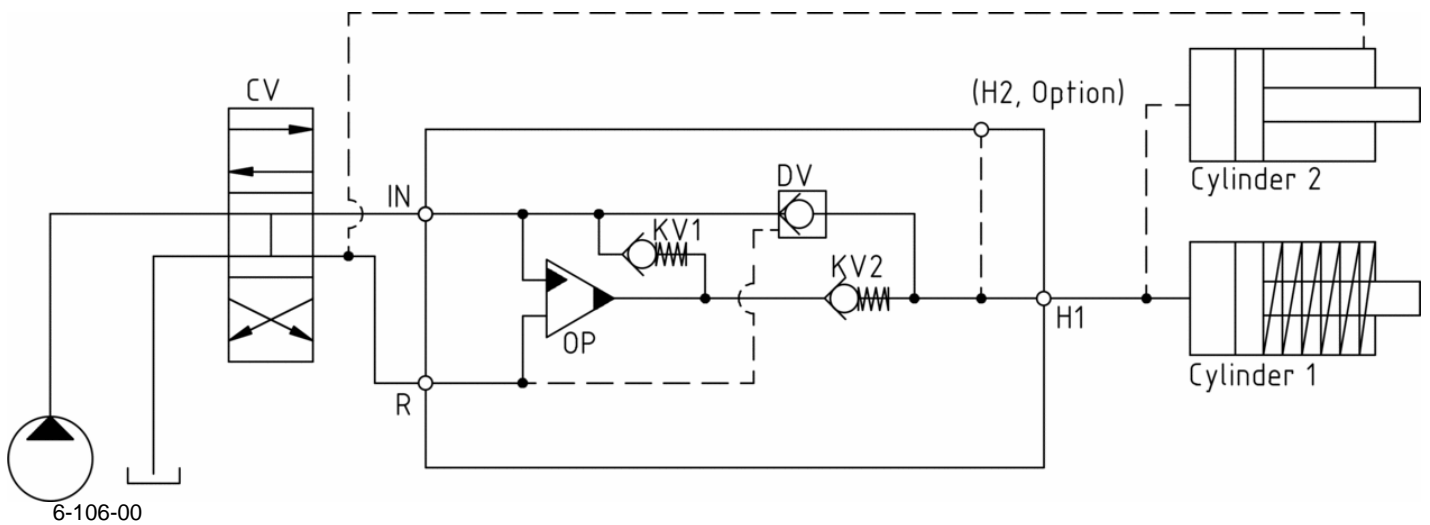
6-130-01

## Function

The basic operation is illustrated in the function diagram. Oil is fed through the directional valve CV to the IN port, flowing freely through the check valves KV1 and KV2 to the high- pressure side H. In this condition maximum flow through the booster is achieved giving a fast- forward function.

When pump pressure is reached on the high- pressure side H, valves KV1 and KV2 will close. The end pressure will be achieved by the oscillating pump unit OP. The unit will automatically stall when end pressure on the high- pressure side H is reached. If a pressure drop on the high- pressure side exists due to consumption or leakage, the OP valve will automatically operate to maintain the end pressure.

## Function diagram



## Connection types

Connection	IN / R
1	1/2" BSPP

## Max. tightening torque BSPP

	IN / R
	1/2" BSPP
with steel washer	13.0 da/ Nm
with aluminium washer	–
with cutting edge	13.0 da/ Nm

## High- pressure adapter

Ordering code	Male connection 1	Connection 2	Max. pressure
6-832	M42 x 1.5 (350Nm)	1 1/8-12 UNF (100 Nm)	5,000 bar

High- pressure adapter ordering codes and specifications can be seen from the table in the PDF- file below:



High- pressure adapter: 6H-900-00

## Fluids and materials

Please see: General specifications

## Ordering an HC6H

Ordering example of an HC6H with  $i = 25.0$ , without DV and BSPP connections: HC6H - 25.0 - A - 1

### **Please note!**

High- pressure adapter ordering code – see table

Model	Intensification, $i$	Dump valve	Connections
HC6H	your selection...	your selection...	your selection...
	see flow rate table	A = (no) / A model	1
		B = (yes) / B model	